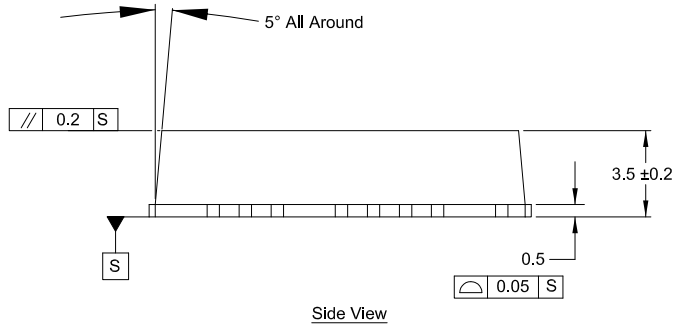
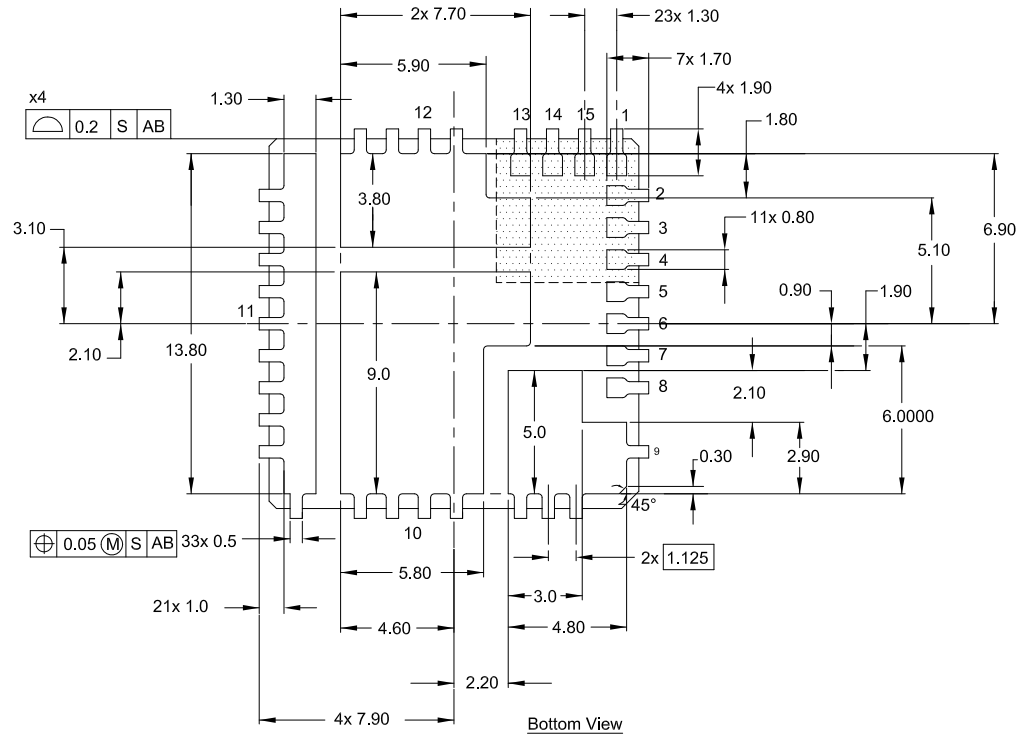
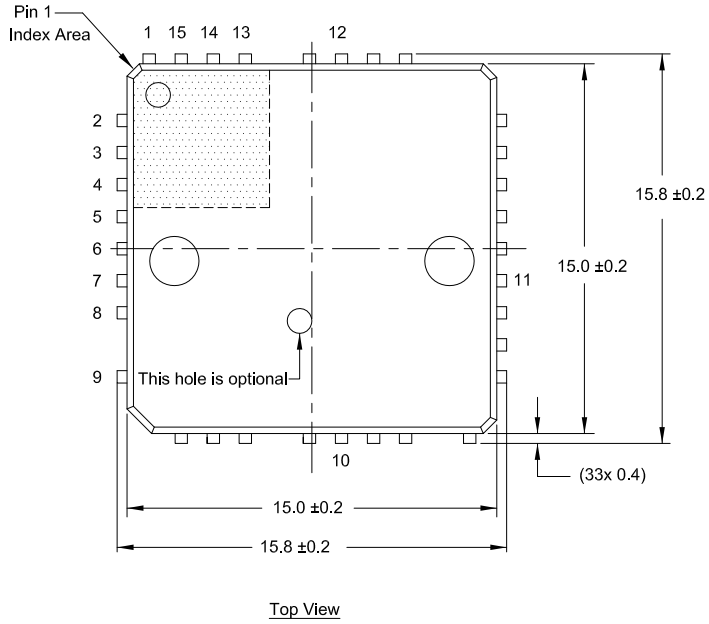


Package Outline Drawing

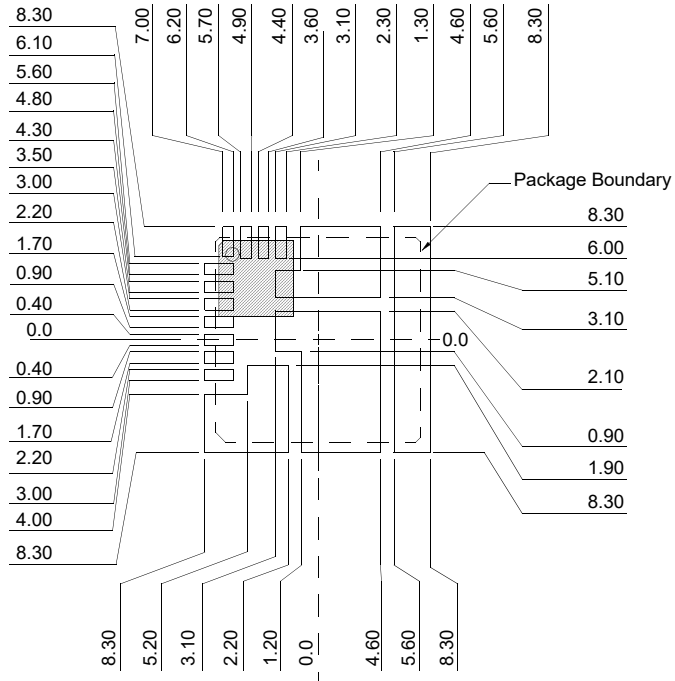
L15.15x15

15 Lead Quad Flat No-Lead Plastic Package (Punch QFN)

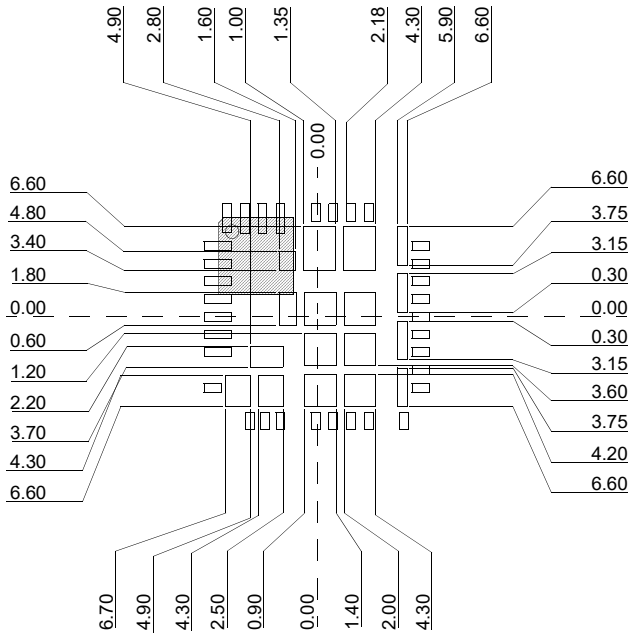
Rev 4, 1/21



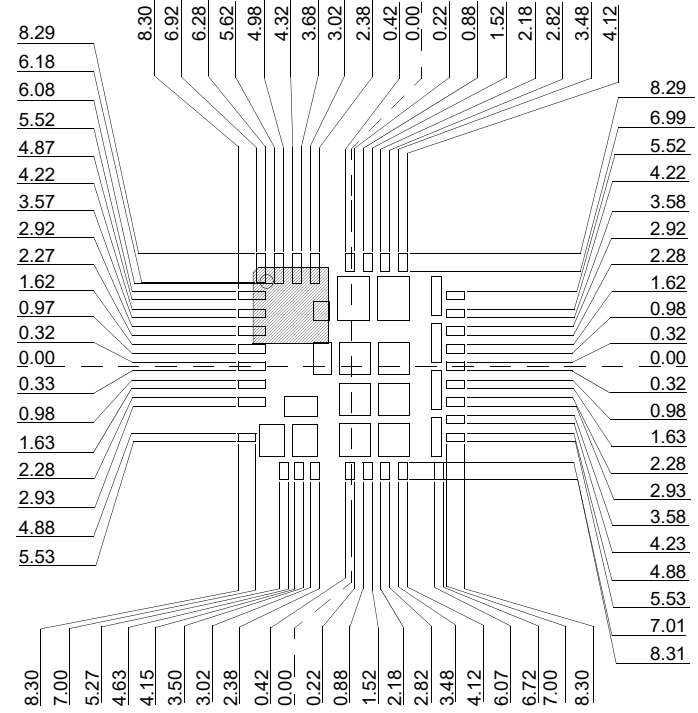
- Notes:
1. Dimensions are in millimeters.
 2. Unless otherwise specified, tolerance: Decimal ±0.05; Body tolerance ±0.1
 3. The configuration of the pin #1 identifier is optional, but must be located within the zone indicated. The pin #1 identifier can be either a mold or mark feature.



Typical Recommended Land Pattern



Stencil Pattern with Square Pads-1



Stencil Pattern with Square Pads-2