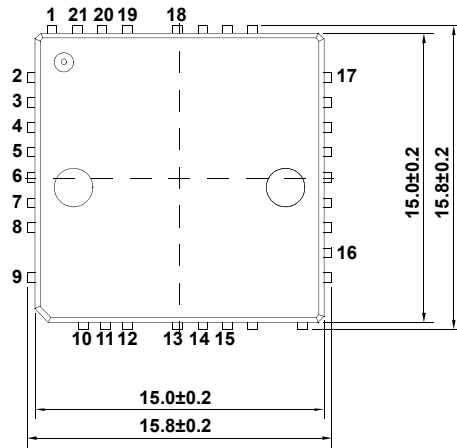


# Package Outline Drawing

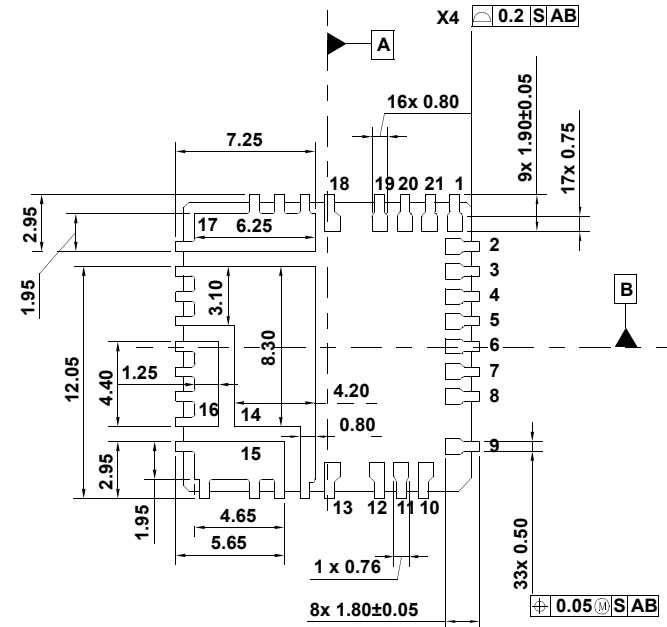
## L21.15x15

21 LEAD QUAD FLAT NO-LEAD PLASTIC PACKAGE (PUNCH QFN)

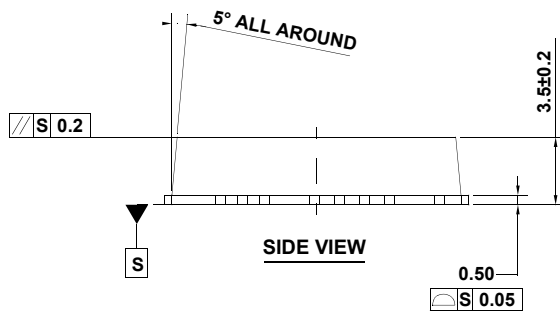
Rev 2, 8/11



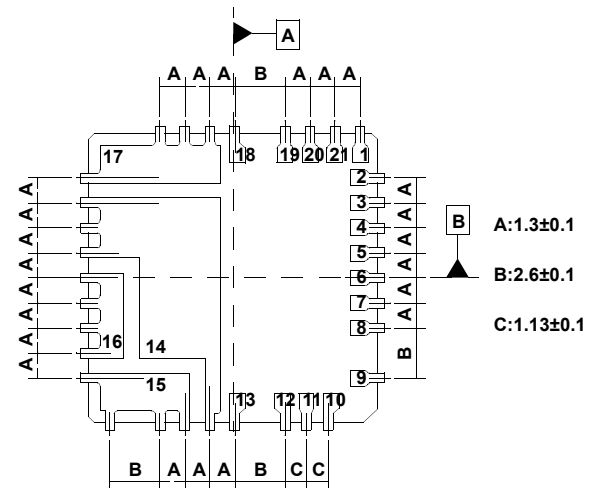
TOP VIEW

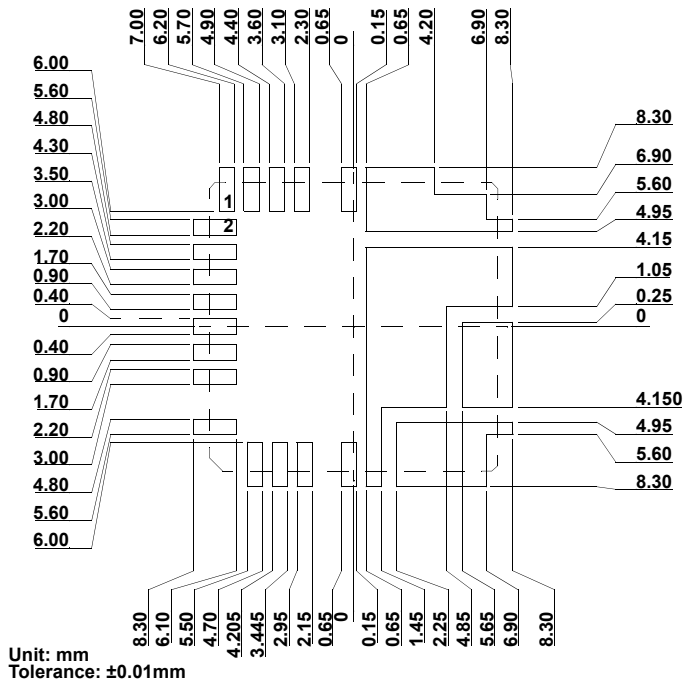


BOTTOM VIEW

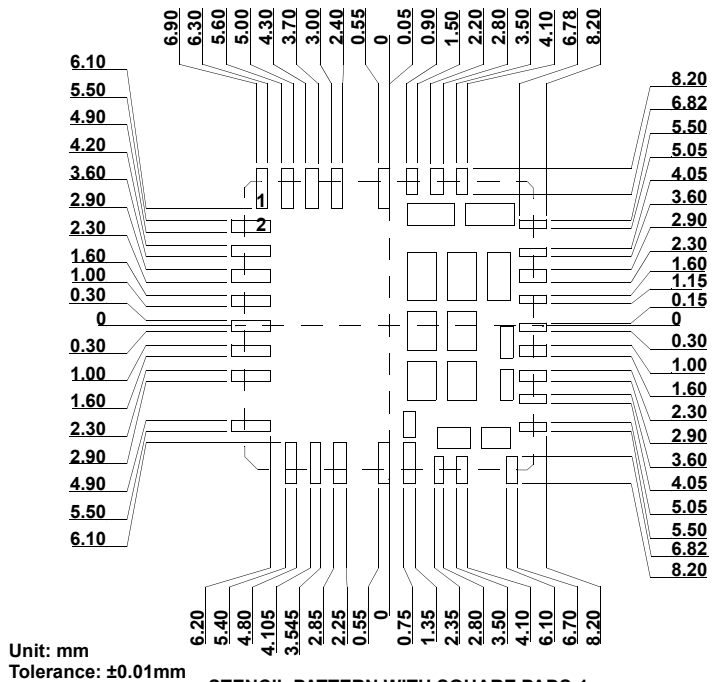


SIDE VIEW

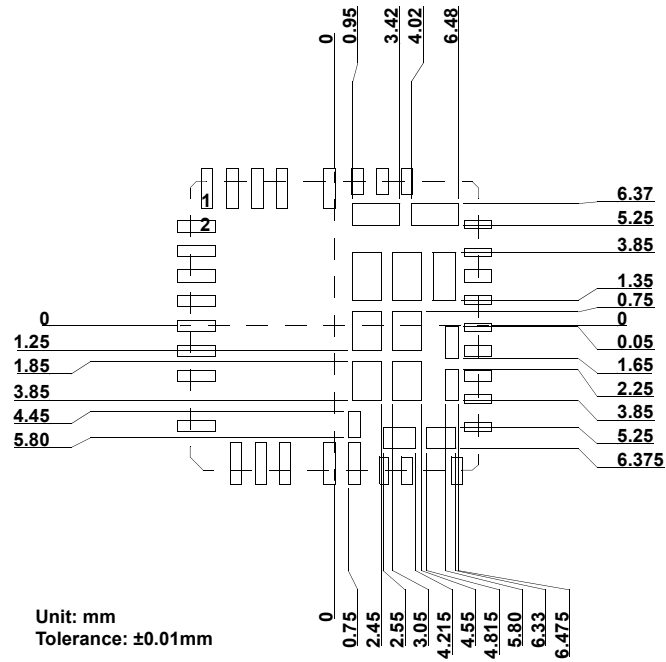




TYPICAL RECOMMENDED LAND PATTERN



STENCIL PATTERN WITH SQUARE PADS-1



STENCIL PATTERN WITH SQUARE PADS-2

**NOTES:**

1. Dimensions are in millimeters.
2. Unless otherwise specified, tolerance : Decimal ± 0.2; Body Tolerance ±0.2mm
3. The configuration of the pin #1 identifier is optional, but must be located within the zone indicated. The pin #1 identifier may be either a mold or mark feature.