

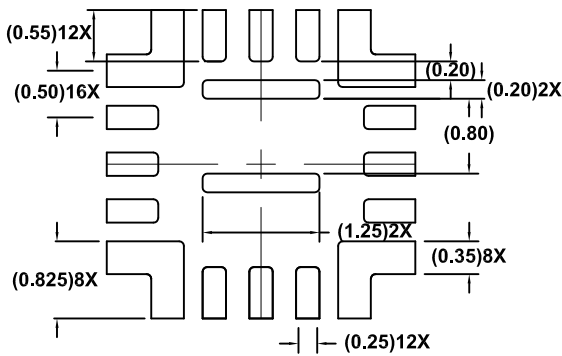
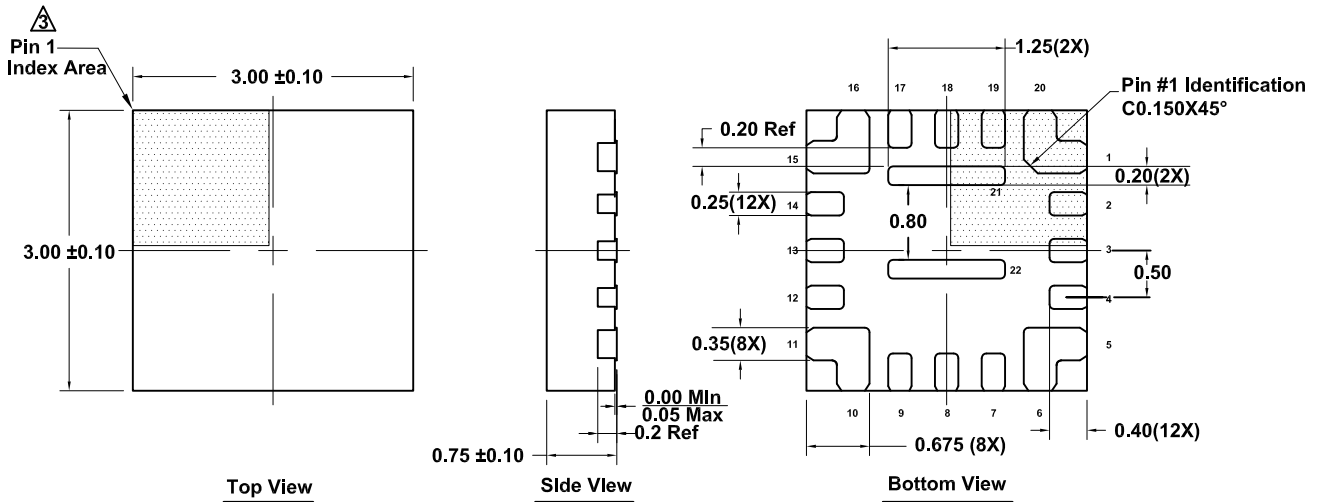
Plastic Packages for Integrated Circuits

Package Outline Drawing

L22.3X3

22 Lead Quad Flat No-Lead Package (QFN)

Rev 1, 4/2022



Typical Recommended Land Pattern

Notes:

1. Dimensions are in millimeters.
Dimensions in () for reference only.
2. Dimensioning and tolerancing conform to ASME Y14.5m-1994.
3. The configuration of the pin#1 Identifier is optional, but must be located within the zone indicated. The pin #1 Identifier can be either a mold or mark feature.
4. Unless otherwise specified, tolerance: Decimal ± 0.05