

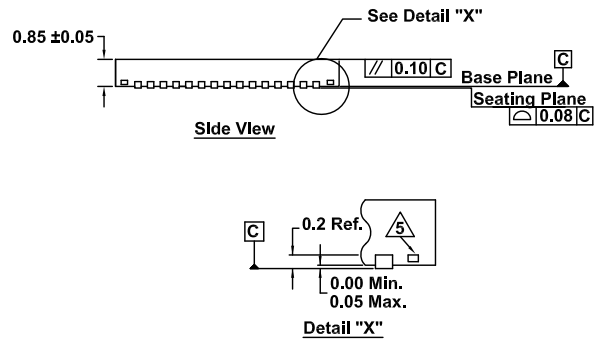
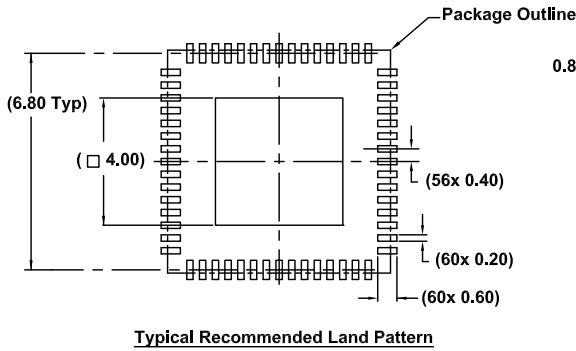
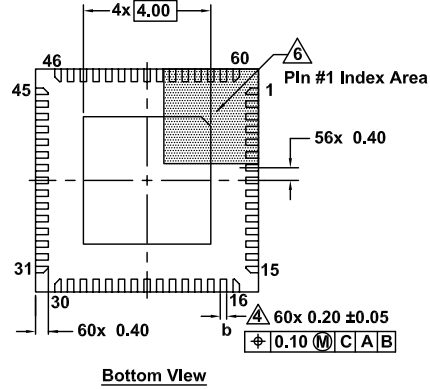
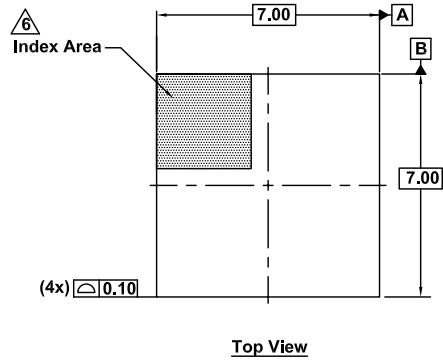
# Plastic Packages for Integrated Circuits

## Package Outline Drawing

L60.7x7A

60 Lead Quad Flat No-Lead Plastic Package

Rev 0, 9/19



### Notes:

1. Dimensions are in millimeters.  
Dimensions in ( ) for reference only.
2. Dimensioning and tolerancing conform to ASME Y14.5m-1994.
3. Unless otherwise specified, tolerance : Decimal  $\pm 0.05$
4. Dimension 'b' applies to the metallized terminal and is measured between 0.20mm and 0.30mm from the terminal tip.
5. Tlebar shown (if present) is a non-functional feature.
6. The configuration of the pin #1 identifier is optional, but must be located within the zone indicated. The pin #1 identifier can be either a mold or mark feature.