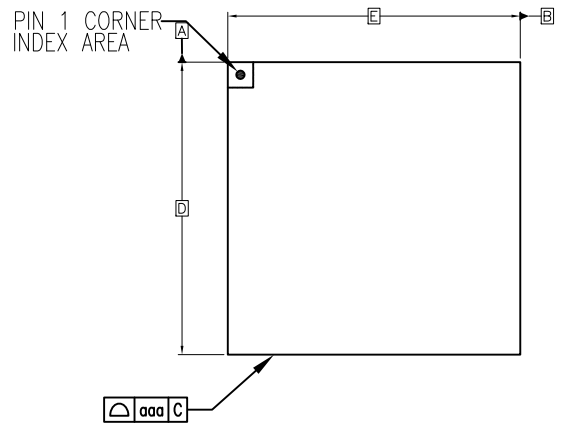
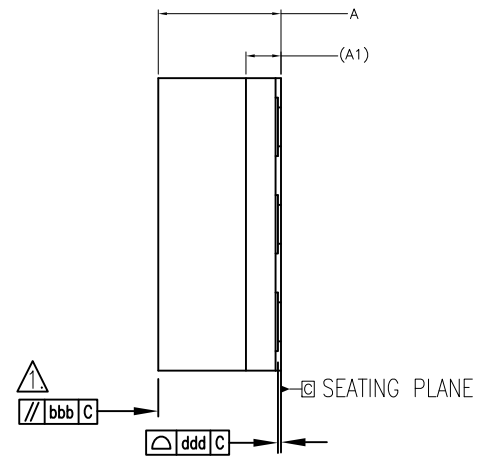


| REVISION HISTORY | | | |
|------------------|-----|-----------------------------------|----------|
| DATE CREATED | REV | DESCRIPTION | AUTHOR |
| 2/8/17 | 01 | MODIFY DIMENSION "A" & PIN1 SHAPE | SRIKANTH |
| 12/2/16 | 00 | INITIAL RELEASE | SRIKANTH |

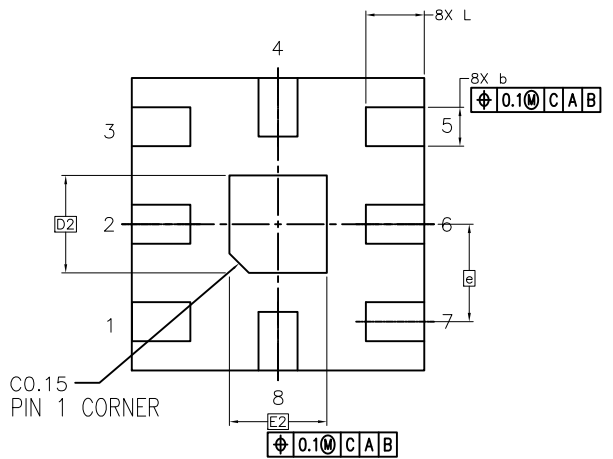
NOTE: REFER TO DCP FOR OFFICIAL RELEASE DATE.



TOP VIEW



SIDE VIEW




BOTTOM VIEW

| SYMBOLS | DIMENSIONS | | |
|---------|------------|------|------|
| | MIN | NOM | MAX |
| A | 0.55 | - | 0.70 |
| A1 | 0.18 REF | | |
| D | 1.50 BSC | | |
| E | 1.50 BSC | | |
| b | 0.15 | 0.20 | 0.25 |
| L | 0.25 | 0.30 | 0.35 |
| e | 0.50 BSC | | |
| D2 | 0.50 BSC | | |
| E2 | 0.50 BSC | | |
| aaa | 0.10 | | |
| bbb | 0.10 | | |
| ddd | 0.08 | | |

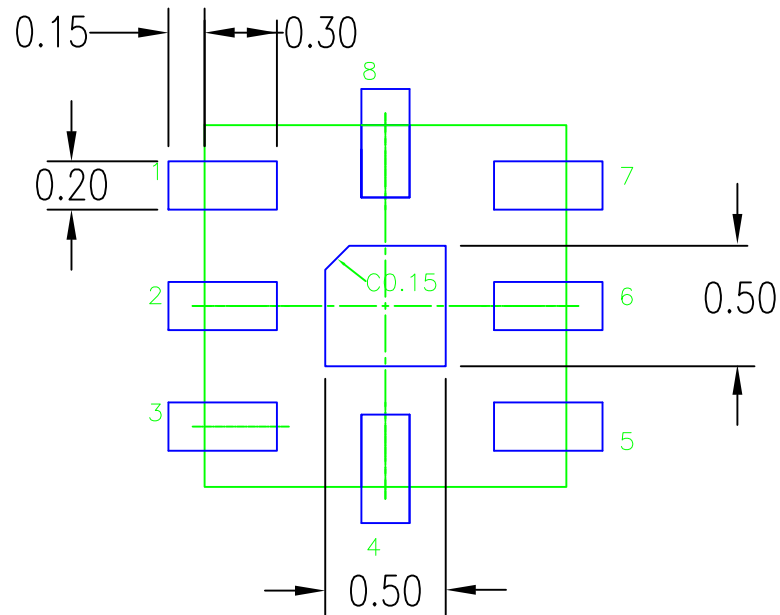
NOTES:

- 1. PARALLELISM MEASUREMENT SHALL EXCLUDE ANY EFFECT OF MARK ON TOP SURFACE OF PACKAGE
- 2. ALL DIMENSION IN MM.

| | | |
|--|--|--------------|
| TOLERANCES UNLESS SPECIFIED DECIMAL ANGULAR XX± ± XXX± XXXX± |  6024 Silver Creek Valley Rd San Jose, CA 95138 PHONE: (408) 284-8200 FAX: (408) 284-3572 | |
| | www.IDT.com | |
| TITLE LGG8 PACKAGE OUTLINE 1.5 x 1.5 mm BODY 0.5 mm PITCH LGA | | |
| SIZE C | DRAWING No. PSC-4680 | REV 01 |
| DO NOT SCALE DRAWING | | SHEET 1 OF 2 |


| DATE CREATED | REVISION HISTORY | | |
|--------------|------------------|-----------------------------------|----------|
| | REV | DESCRIPTION | AUTHOR |
| 2/8/17 | 01 | MODIFY DIMENSION "A" & PIN1 SHAPE | SRIKANTH |
| 12/2/16 | 00 | INITIAL RELEASE | SRIKANTH |

NOTE: REFER TO DCP FOR OFFICIAL RELEASE DATE.



NOTES:

1. ALL DIMENSION ARE IN mm. ANGLES IN DEGREES.
2. TOP DOWN VIEW. AS VIEWED ON PCB.
3. COMPONENT OUTLINE SHOW FOR REFERENCE IN GREEN.
4. LAND PATTERN IN BLUE. NSMD PATTERN ASSUMED.
5. LAND PATTERN RECOMMENDATION PER IPC-7351B GENERIC REQUIREMENT FOR SURFACE MOUNT DESIGN AND LAND PATTERN.

| | | | |
|-----------------------------|-------------|---|---|
| TOLERANCES UNLESS SPECIFIED | |  www.IDT.com | 6024 Silver Creek Valley Rd San Jose, CA 95138 PHONE: (408) 284-8200 FAX: (408) 284-3572 |
| DECIMAL | ANGULAR | | |
| XX± | ± | | |
| XXX± | | | |
| XXXX± | | | |
| TITLE | | LGG8 PACKAGE OUTLINE | |
| | | 1.5 x 1.5 mm BODY | |
| | | 0.5 mm PITCH LGA | |
| SIZE | DRAWING No. | REV | |
| C | PSC-4680 | 01 | |
| DO NOT SCALE DRAWING | | | SHEET 2 OF 2 |