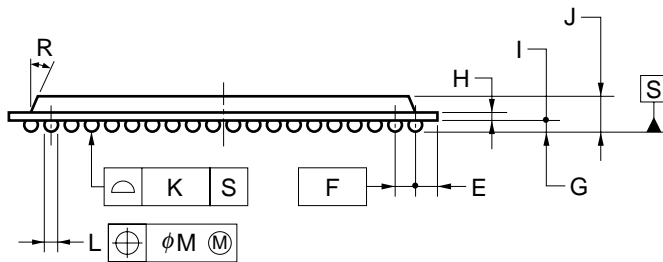
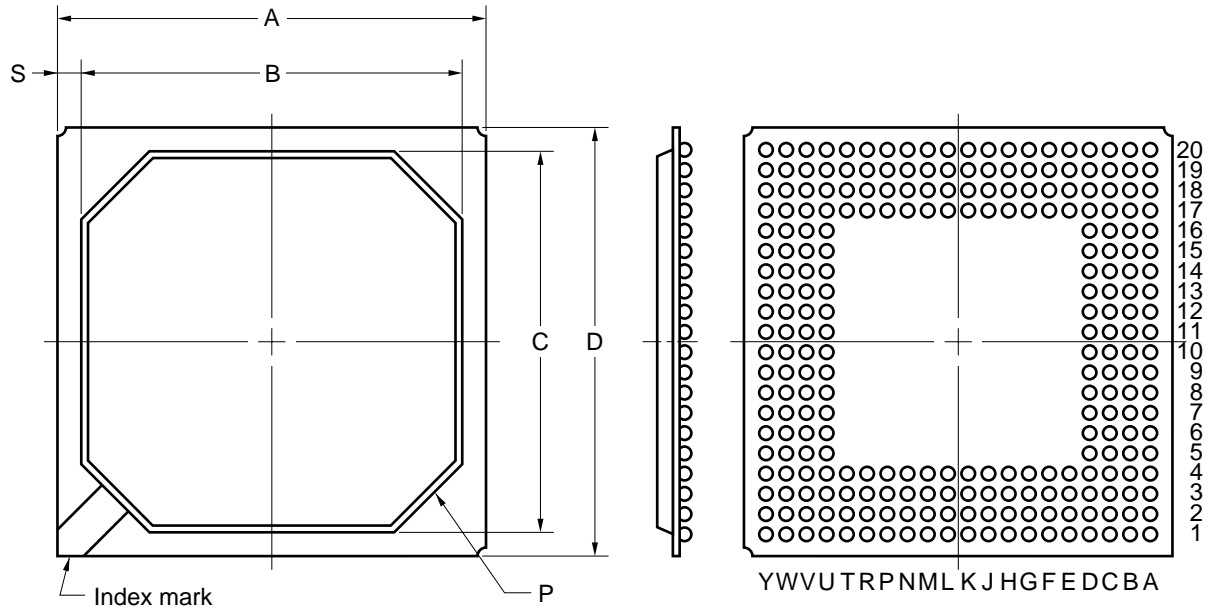


## 256-PIN PLASTIC BGA (27x27)



### NOTE

Each ball centerline is located within  $\phi 0.3$  mm of its true position (T.P.) at maximum material condition.

ITEM	MILLIMETERS
A	27.0 $\pm$ 0.2
B	24.0
C	24.0
D	27.0 $\pm$ 0.2
E	1.44
F	1.27 (T.P.)
G	0.6 $\pm$ 0.1
H	0.36
I	1.53 $\pm$ 0.15
J	2.13 $\pm$ 0.25
K	0.15
L	$\phi 0.75 \pm 0.15$
M	0.3
P	C3.95
R	30°
S	1.5

S256S1-127-B6-2