

JEITA Package Code

RENESAS Code

Previous Code

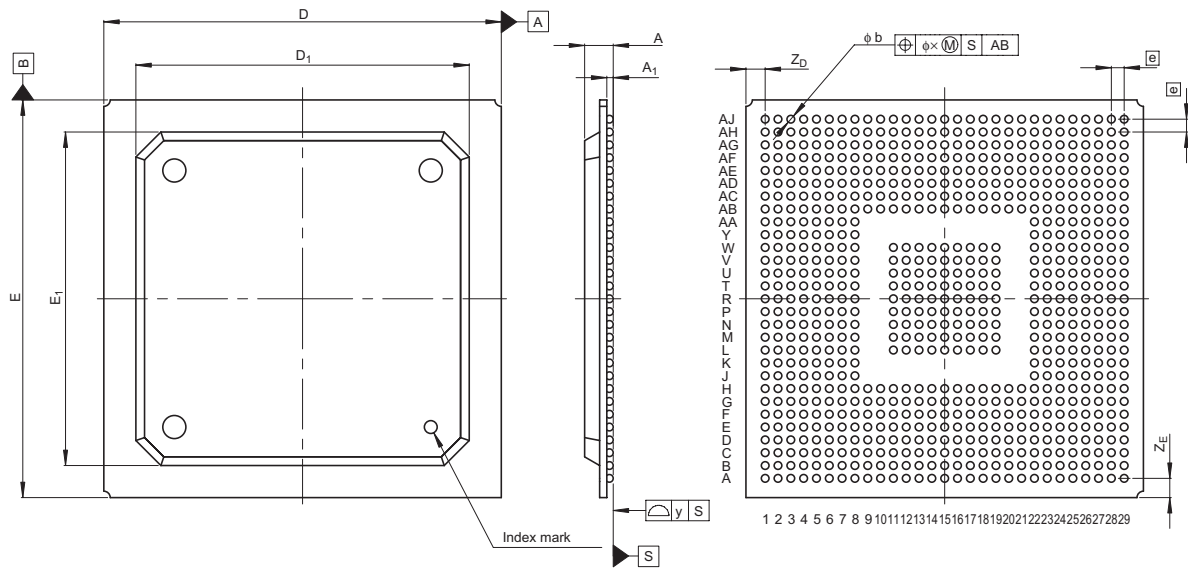
MASS[Typ.]

P-BGA753-31x31-1.00

PRBG0753FA-A

753F7T

3.3g



| Reference Symbol | Dimension in Millimeters | | |
|------------------|--------------------------|------|------|
| | Min | Nom | Max |
| D | 30.8 | 31.0 | 31.2 |
| E | 30.8 | 31.0 | 31.2 |
| A | — | — | 2.6 |
| A ₁ | 0.4 | 0.5 | 0.6 |
| e | — | 1.0 | — |
| b | 0.5 | 0.6 | 0.7 |
| x | — | — | 0.25 |
| y | — | — | 0.15 |
| Z _D | — | 1.5 | — |
| Z _E | — | 1.5 | — |
| D ₁ | 25.8 | 26.0 | 26.2 |
| E ₁ | 25.8 | 26.0 | 26.2 |