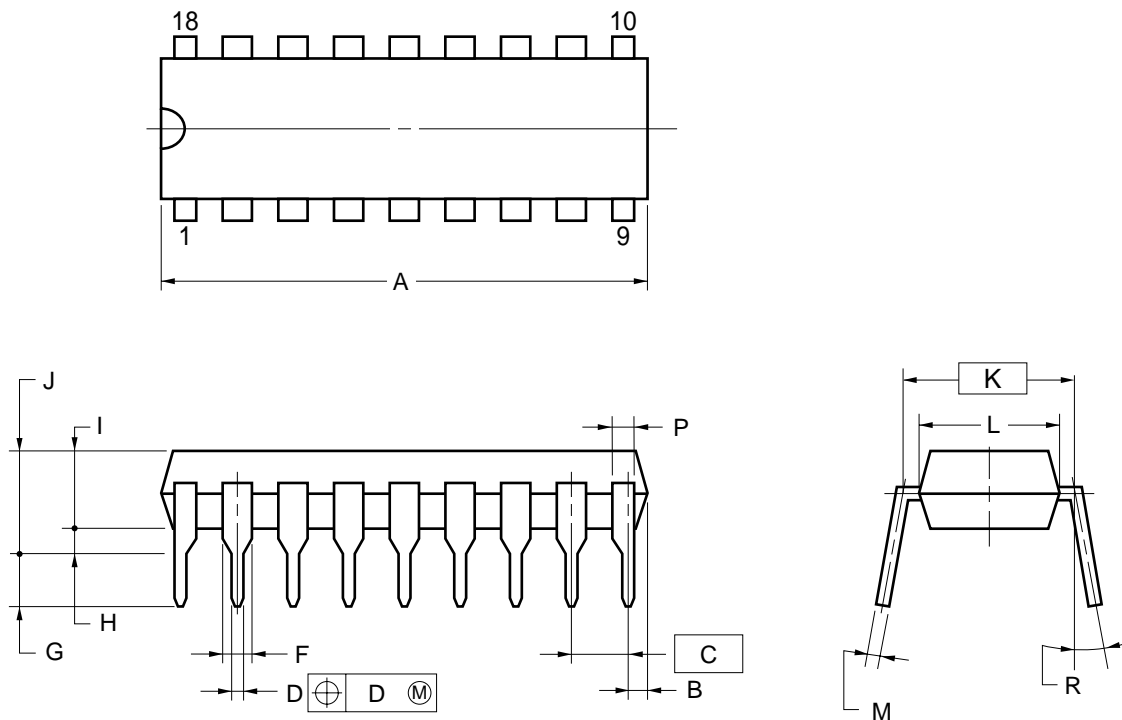


18-PIN PLASTIC DIP (7.62mm(300))



NOTES

1. Each lead centerline is located within 0.25 mm of its true position (T.P.) at maximum material condition.
2. Item "K" indicates the distance between the center locations of PCB hole rows.
The distance between the center of leads when formed parallel is 8.0 mm TYP.

ITEM	MILLIMETERS
A	22.86 MAX.
B	1.27 MAX.
C	2.54 (T.P.)
D	0.50±0.10
F	1.2 MIN.
G	3.2±0.3
H	0.51 MIN.
I	4.31 MAX.
J	5.08 MAX.
K	7.62 (T.P.)
L	7.35
M	0.25 ^{+0.10} _{-0.05}
N	0.25
P	1.0 MIN.
R	0~15°

P18C-100-300WA1-2