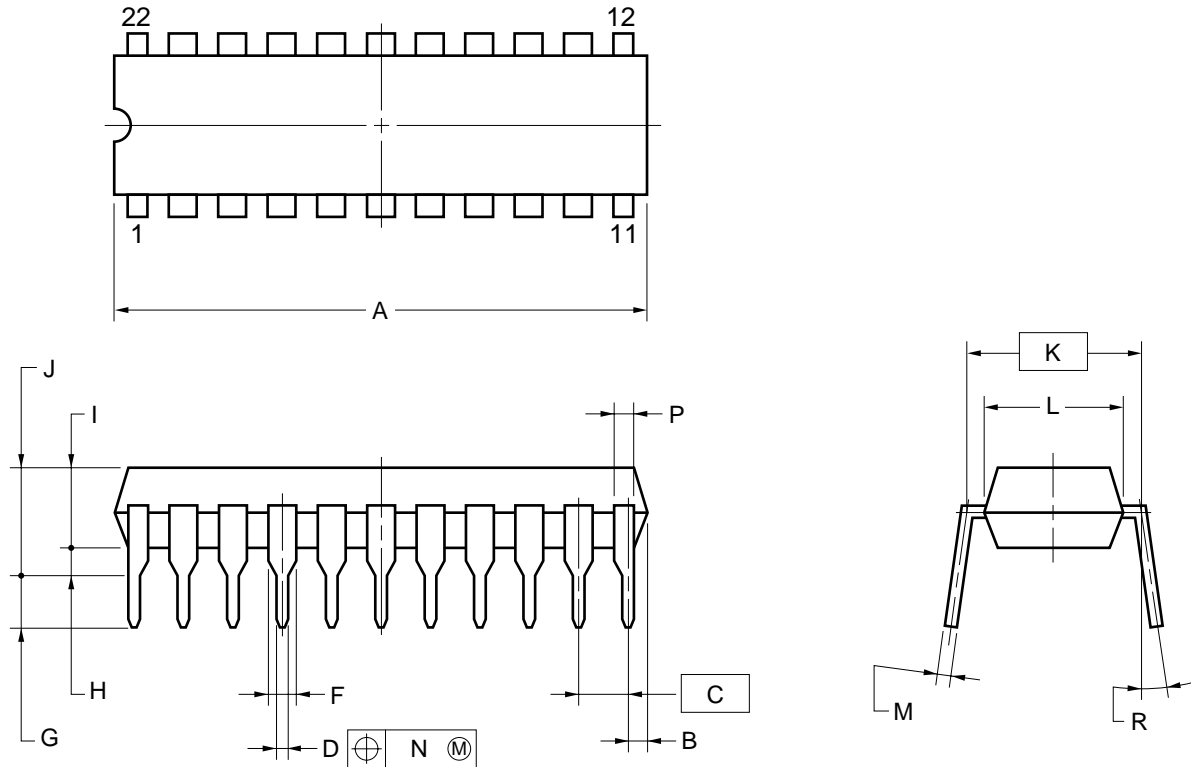


22-PIN PLASTIC DIP (7.62mm(300))



NOTES

- Each lead centerline is located within 0.25 mm of its true position (T.P.) at maximum material condition.
- Item "K" indicates the distance between the center locations of PCB hole rows. The distance between the center of leads when formed parallel is 8.0 mm TYP.

ITEM	MILLIMETERS
A	27.94 MAX.
B	1.27 MAX.
C	2.54 (T.P.)
D	0.50±0.10
F	1.2 MIN.
G	3.2±0.3
H	0.51 MIN.
I	4.31 MAX.
J	5.08 MAX.
K	7.62 (T.P.)
L	7.35
M	0.25 ^{+0.10} _{-0.05}
N	0.25
P	0.9 MIN.
R	0~15°

P22C-100-300WA-2