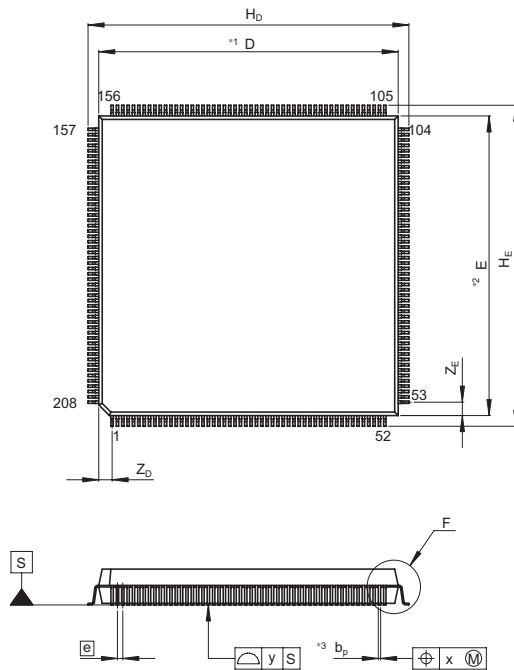


JEITA Package Code
P-FQFP208-28x28-0.50

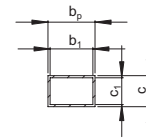
RENESAS Code
PRQP0208KD-A

Previous Code
FP-208/FP-208V

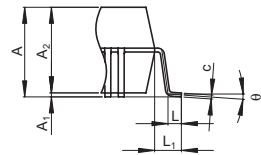
MASS[Typ.]
5.2g



NOTE)
1. DIMENSIONS**1**AND**2**
DO NOT INCLUDE MOLD FLASH
2. DIMENSION**3**DOES NOT
INCLUDE TRIM OFFSET.



Terminal cross section



Detail F

Reference Symbol	Dimension in Millimeters		
	Min	Nom	Max
D	—	28	—
E	—	28	—
A ₂	—	3.20	—
H _D	29.7	30.0	30.3
H _E	29.7	30.0	30.3
A	—	—	3.56
A ₁	0.00	0.15	0.25
b _p	0.17	0.22	0.27
b ₁	—	0.20	—
c	0.095	0.145	0.195
c ₁	—	0.125	—
θ	0°	—	8°
[e]	—	0.5	—
x	—	—	0.08
y	—	—	0.10
Z _D	—	1.25	—
Z _E	—	1.25	—
L	0.3	0.5	0.7
L ₁	—	1.0	—