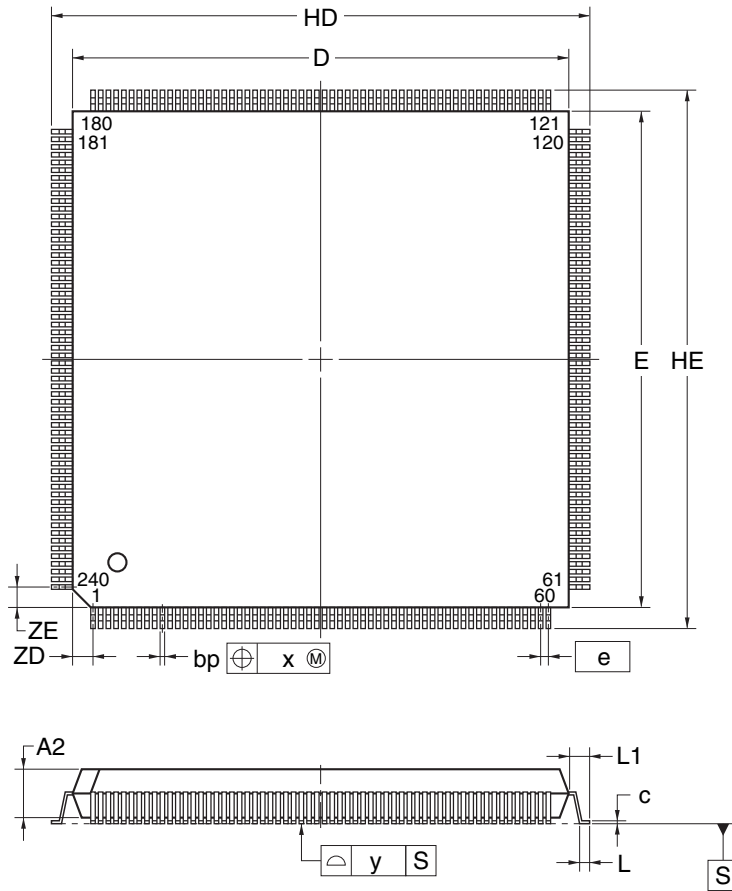


JEITA Package Code	RENESAS Code	Previous Code	MASS (TYP.) [g]
P-FQFP240-32x32-0.50	PRQP0240KD-A	P240GN-50-LMU	6.7



detail of lead end

(UNIT:mm)

ITEM	DIMENSIONS
D	32.00±0.20
E	32.00±0.20
HD	34.60±0.20
HE	34.60±0.20
A	3.80 MAX.
A1	0.40±0.10
A2	3.20±0.10
bp	0.22 ^{+0.05} _{-0.04}
c	0.17 ^{+0.03} _{-0.07}
L	0.50±0.20
L1	1.30±0.20
θ	3° ^{+7°} _{-3°}
e	0.50
x	0.10
y	0.10
ZD	1.25
ZE	1.25

NOTE

Each lead centerline is located within 0.10 mm of its true position (T.P.) at maximum material condition.