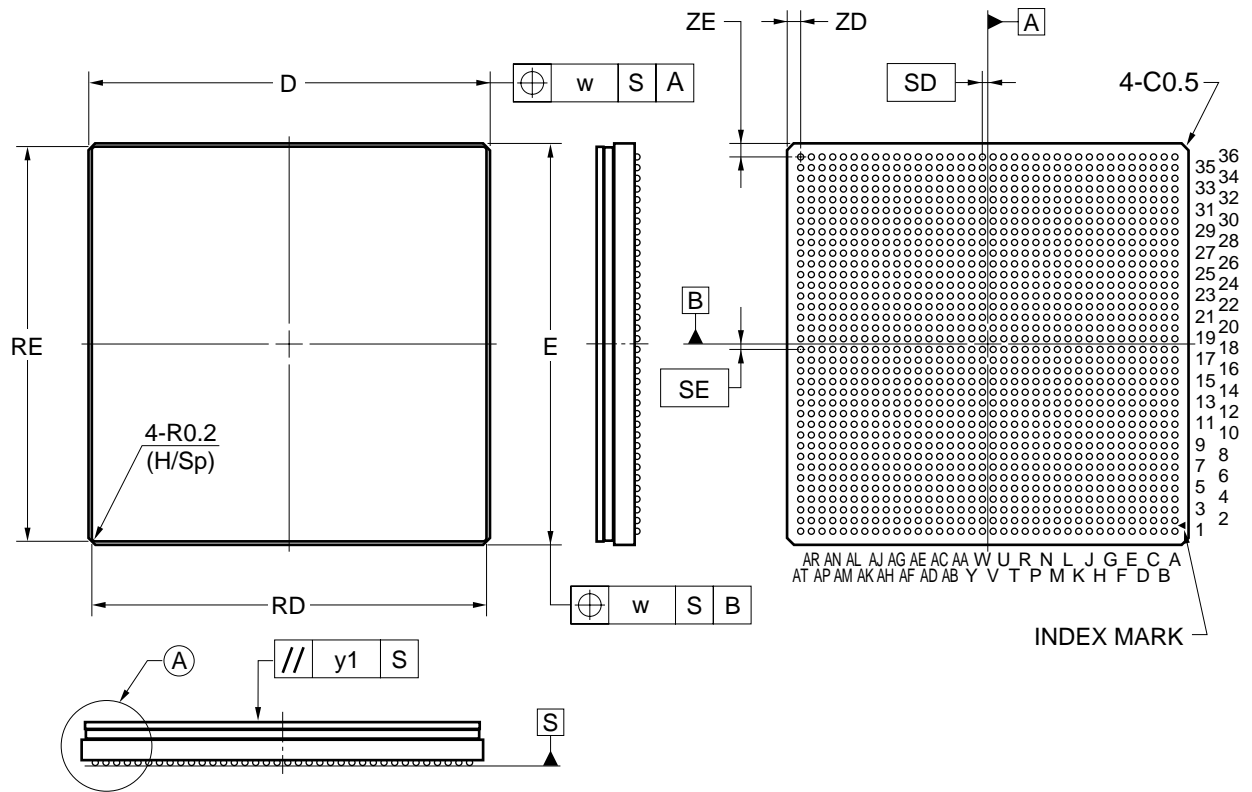
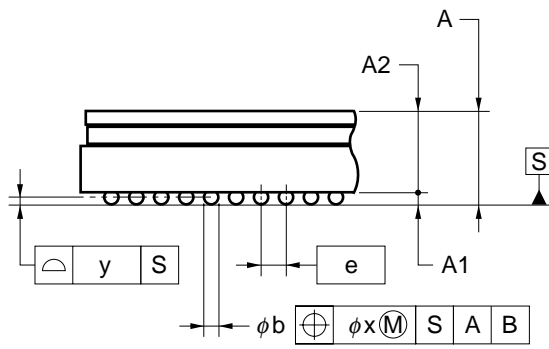


1296-PIN PLASTIC BGA (FLIP CHIP TYPE) (37.5x37.5)



Detail of (A) part



ITEM	MILLIMETERS
D	37.50±0.10
RD	37.10±0.05
E	37.50±0.10
RE	37.10±0.05
w	0.15
e	1.00
SD	0.50
SE	0.50
A	3.61±0.40
A1	0.45±0.10
A2	3.16
b	0.60±0.10
x	0.10
y	0.20
y1	0.30
ZD	1.25
ZE	1.25

P1296S8-100-G7