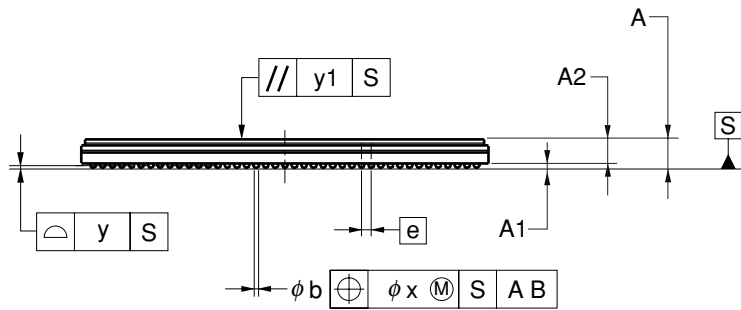
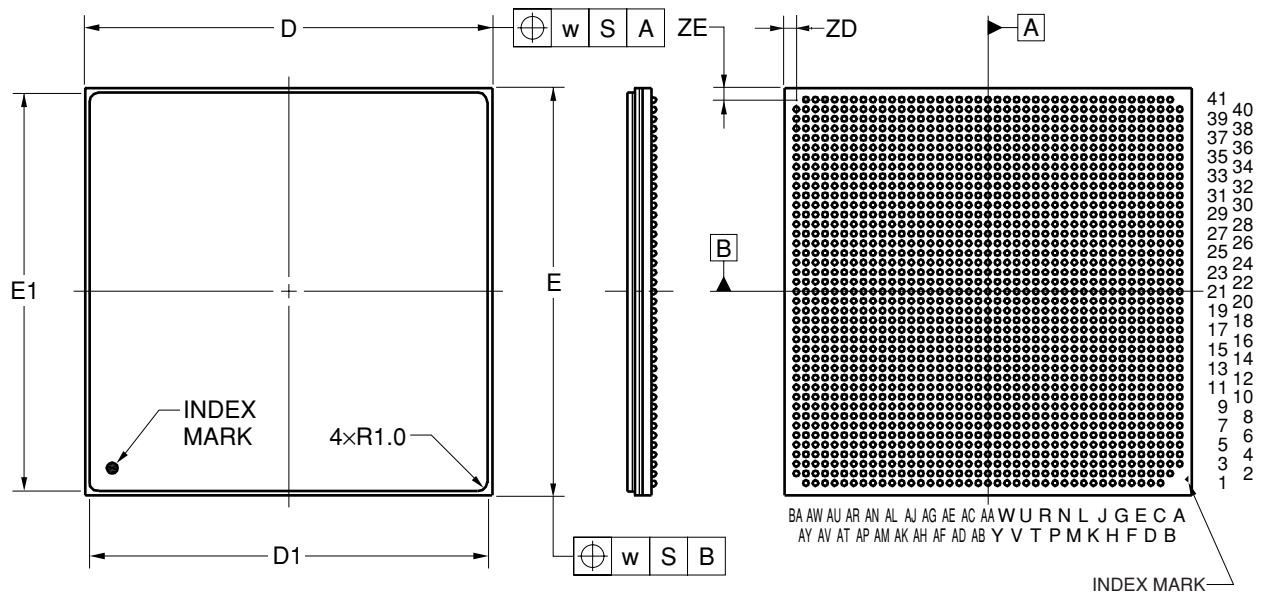


1675-PIN PLASTIC BGA (FLIP CHIP TYPE) (42.5x42.5)



(UNIT:mm)

ITEM	DIMENSIONS
D	42.50±0.10
D1	41.60±0.05
E	42.50±0.10
E1	41.60±0.05
w	0.30
e	1.00
A	2.90±0.40
A1	0.45±0.10
A2	2.45
b	0.60±0.10
x	0.10
y	0.20
y1	0.35
ZD	1.25
ZE	1.25

P1675F5-100-VN2