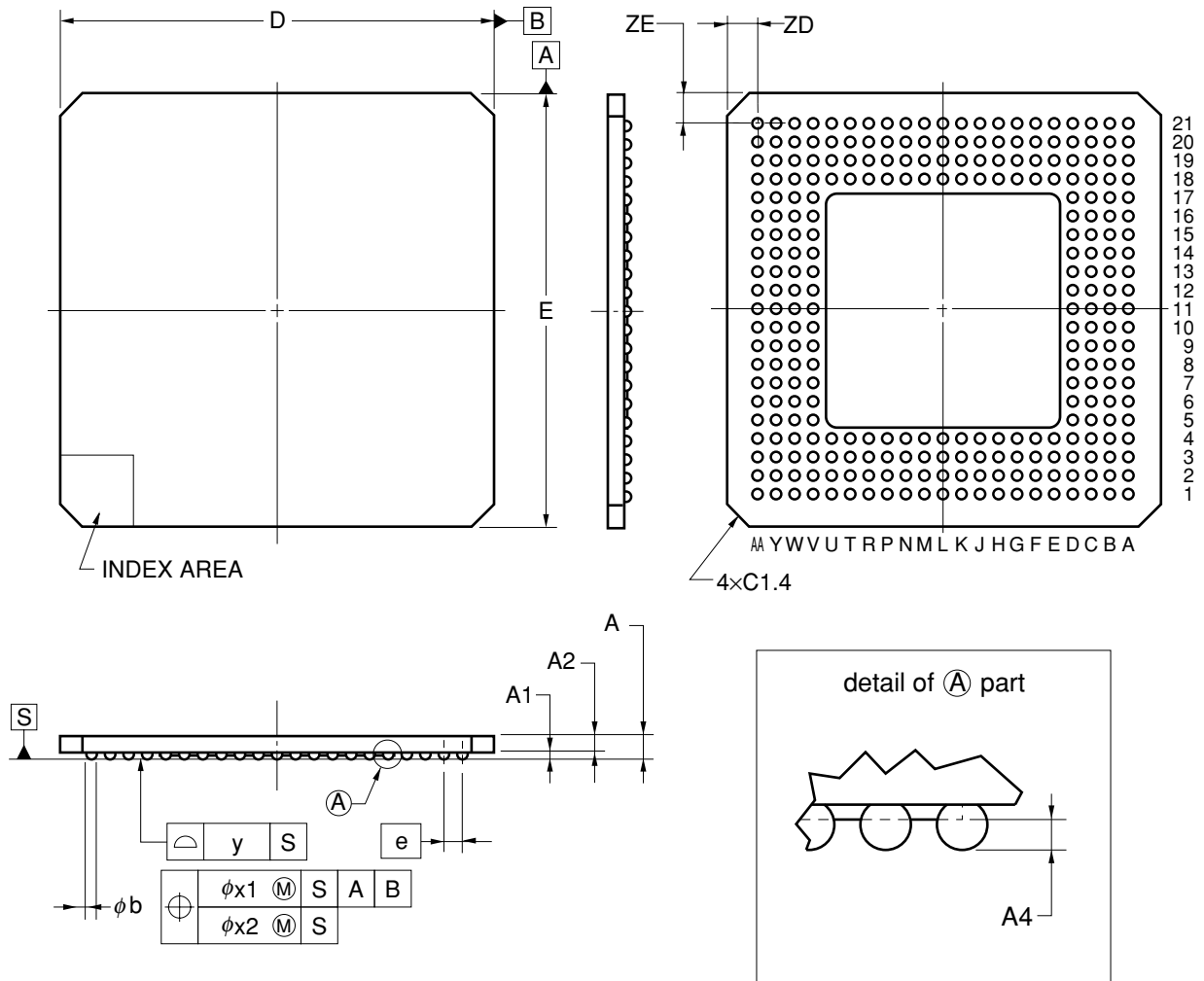


## 272-PIN PLASTIC BGA (CAVITY DOWN ADVANCED TYPE) (29x29)



(unit:mm)

ITEM	DIMENSIONS
D	29.00±0.20
E	29.00±0.20
e	1.27
A	1.75±0.30
A1	0.60±0.10
A2	1.15
A4	0.25 MIN.
b	φ0.75±0.15
x1	0.30
x2	0.15
y	0.20
ZD	1.80
ZE	1.80

P272F2-127-NN1