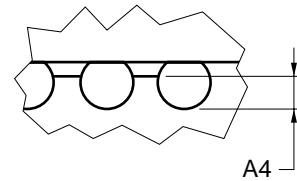
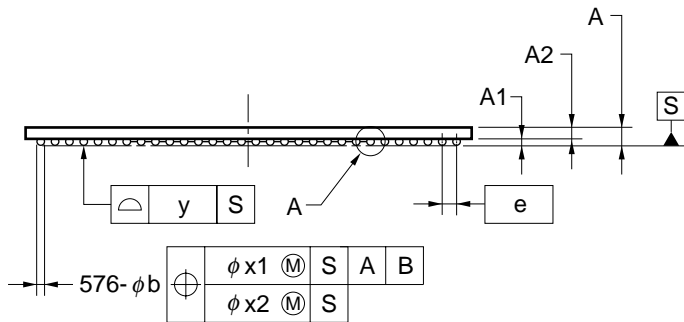
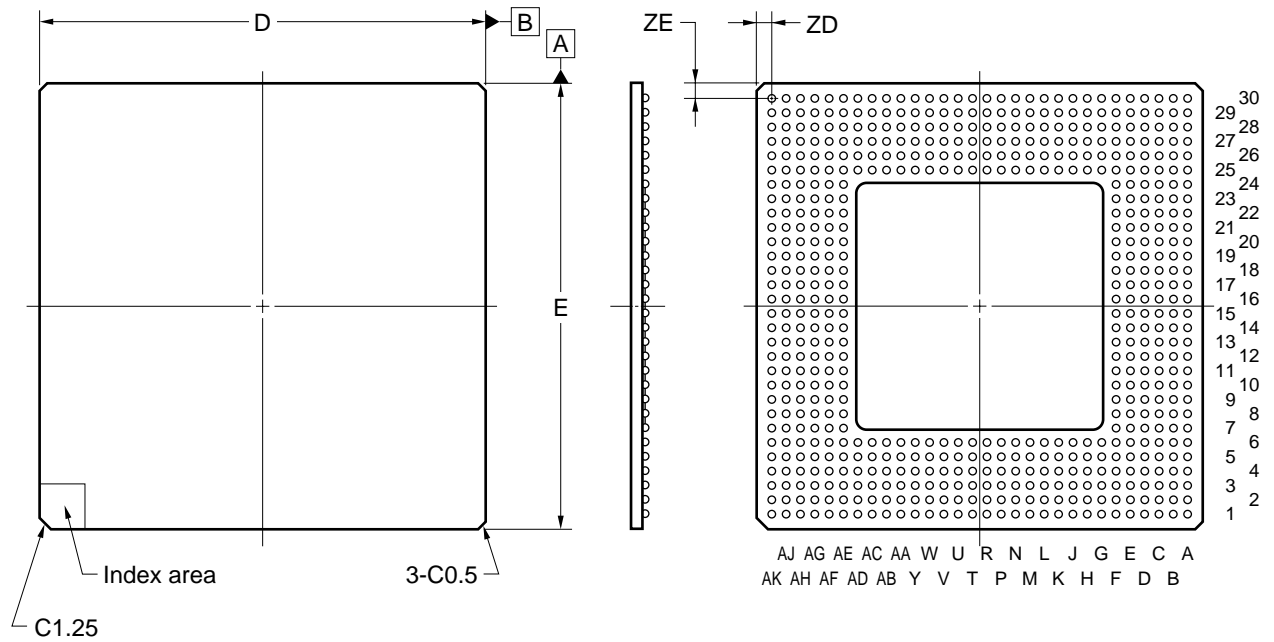


576-PIN PLASTIC BGA CAVITY DOWN ADVANCED TYPE) (40x40)



detail of A part

ITEM	MILLIMETERS
D	40.00±0.20
E	40.00±0.20
e	1.27
A	1.80±0.30
A1	0.60±0.10
A2	1.20
A4	0.15 MIN.
b	0.75±0.15
x1	0.30
x2	0.15
y	0.20
ZD	1.585
ZE	1.585

P576F2-127-UA4