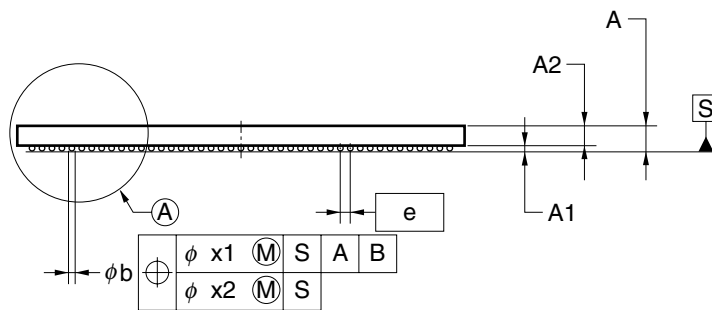
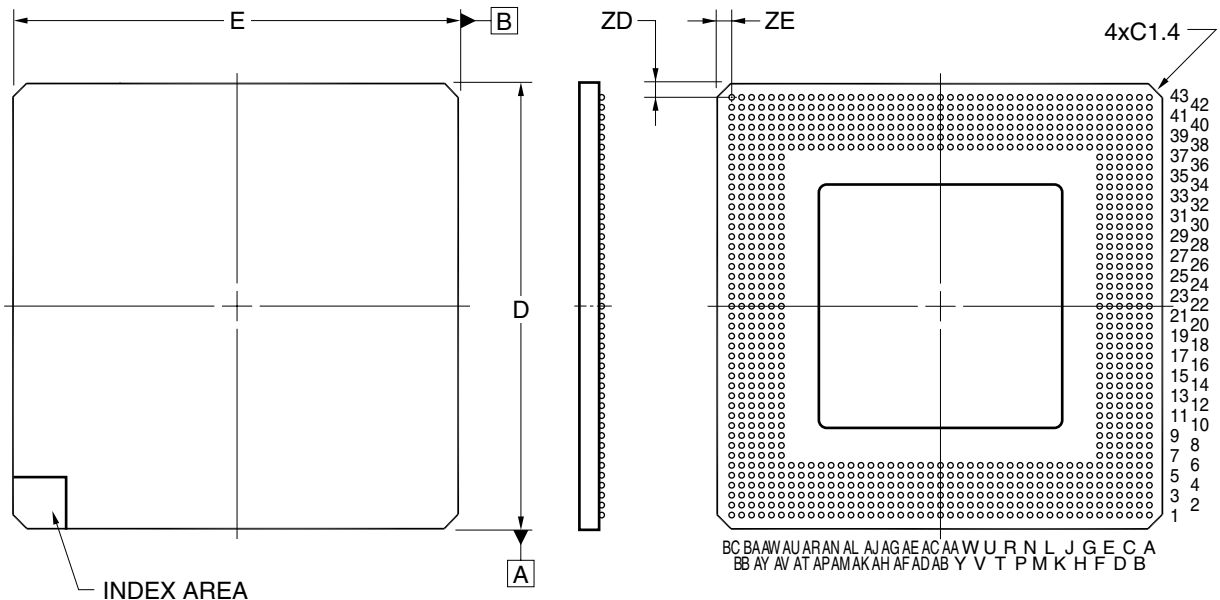
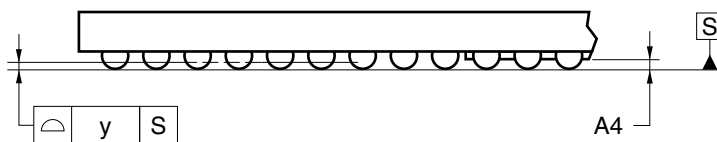


888-PIN PLASTIC BGA (CAVITY DOWN ADVANCED TYPE) (45x45)



DETAIL OF (A) PART



(UNIT:mm)

ITEM	DIMENSIONS
D	45.00±0.20
E	45.00±0.20
e	1.00
A	2.30±0.30
A1	0.50±0.10
A2	1.80
A4	0.20MIN.
b	0.60±0.15
x1	0.30
x2	0.10
y	0.15
ZD	1.50
ZE	1.50

P888F2-100-WNB