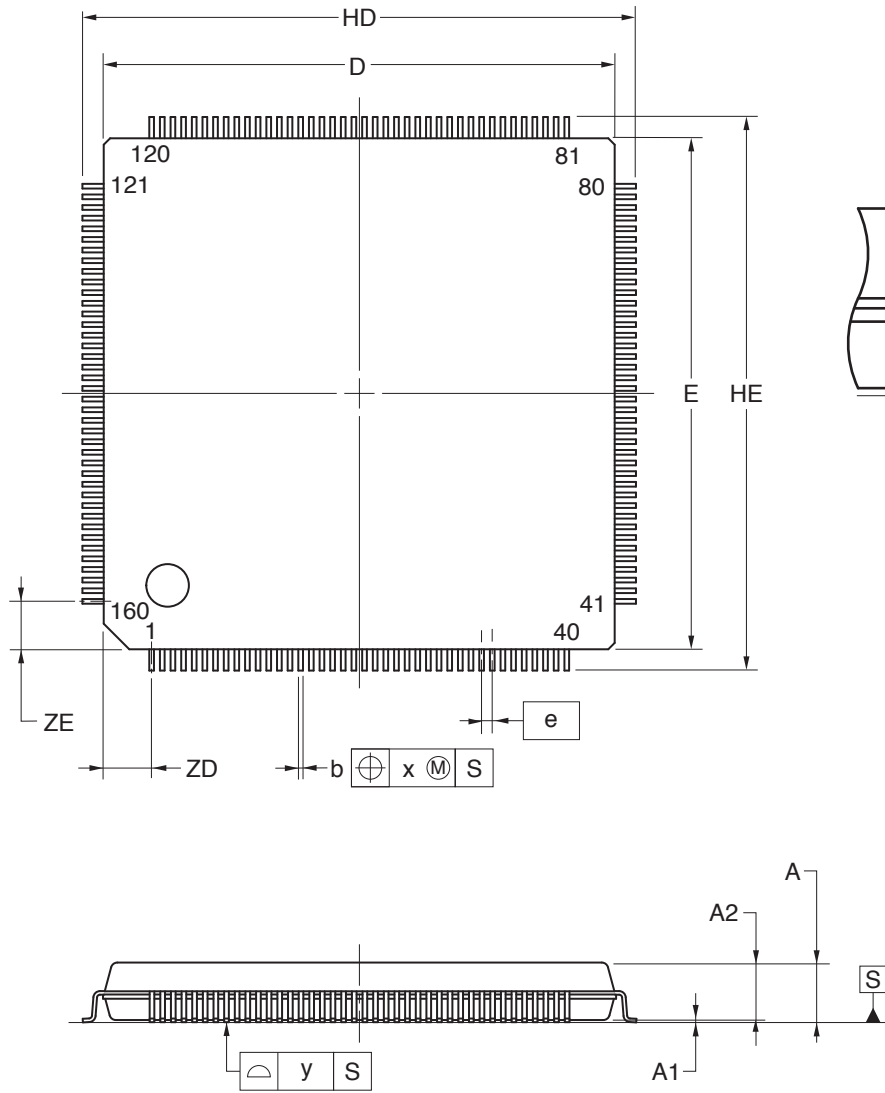
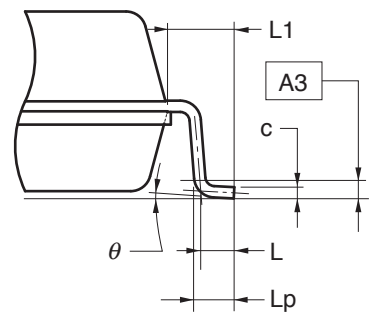


160-PIN PLASTIC QFP (FINE PITCH) (24x24)



detail of lead end



(UNIT:mm)

ITEM	DIMENSIONS
D	24.00±0.20
E	24.00±0.20
HD	26.00±0.20
HE	26.00±0.20
A	2.95 MAX.
A1	0.10±0.05
A2	2.70±0.10
A3	0.25
b	0.22±0.05
c	0.17 ^{+0.03} / _{-0.07}
L	0.50
Lp	0.60±0.15
L1	1.00±0.20
θ	3° ^{+5°} / _{-3°}
e	0.50
x	0.08
y	0.08
ZD	2.25
ZE	2.25

NOTE

Each lead centerline is located within 0.08mm of its true position at maximum material condition.

P160GM-50-CEY-1