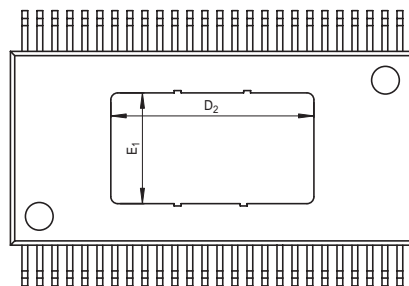
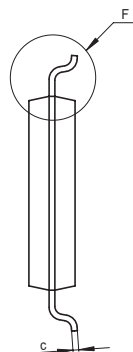
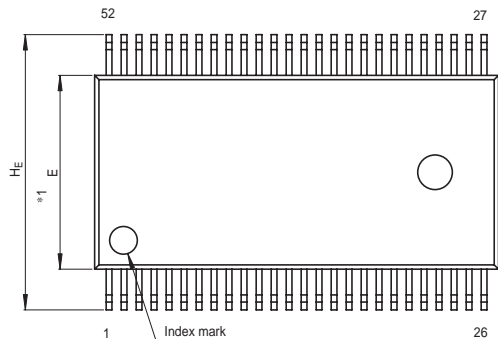


JEITA Package Code
P-HSSOP52-8.4x17.5-0.65

RENESAS Code
PRSP0052JB-A

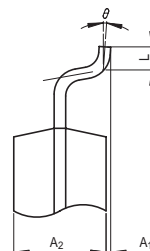
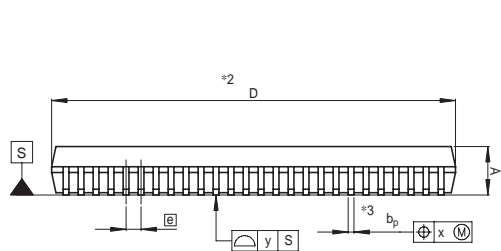
Previous Code
52P9F-J

MASS[Typ.]
0.8g



NOTE)

1. DIMENSIONS *1* AND *2* DO NOT INCLUDE MOLD FLASH.
2. DIMENSION *3* DOES NOT INCLUDE TRIM OFFSET.



Detail F

Reference Symbol	Dimension in Millimeters		
	Min	Nom	Max
D	17.3	17.5	17.7
E	8.2	8.4	8.6
A ₂	—	2.0	—
A	—	—	2.2
A ₁	0	0.1	0.2
b _p	0.22	0.27	0.32
c	0.23	0.25	0.3
θ	0°	—	10°
H _E	11.63	11.93	12.23
ⓔ	—	0.65	—
x	—	—	0.12
y	—	—	0.10
L	0.3	0.5	0.7
D ₂	8.6	8.8	9.0
E ₁	4.6	4.8	5.0