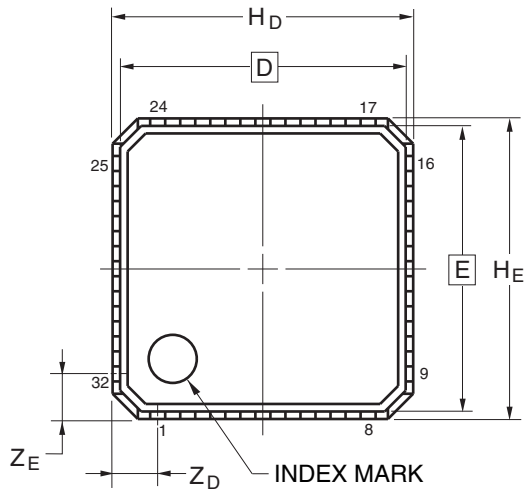
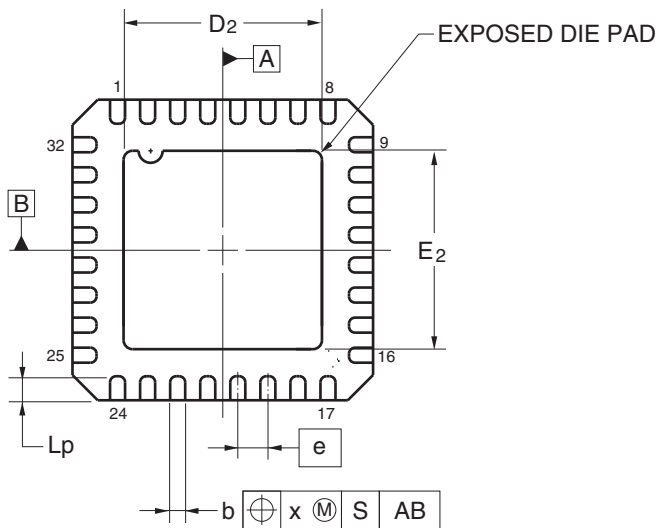
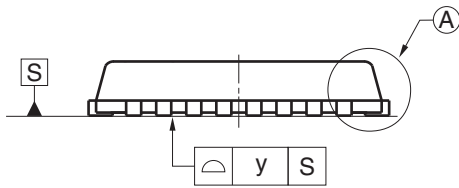
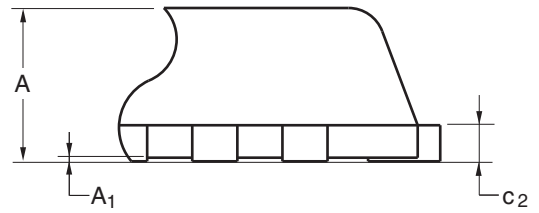


JEITA Package code	RENESAS code	Previous code	MASS(TYP.)[g]
P-HVQFN32-5x5-0.50	PVQN0032KE-A	P32K9-50B-BAH	0.058



DETAIL OF (A) PART



Reference Symbol	Dimension in Millimeters		
	Min	Nom	Max
D	—	4.75	—
E	—	4.75	—
A	—	—	0.90
A_1	0.00	—	—
b	0.20	0.25	0.30
e	—	0.50	—
L_p	0.30	0.40	0.50
x	—	—	0.10
y	—	—	0.05
H_D	4.95	5.00	5.05
H_E	4.95	5.00	5.05
Z_D	—	0.75	—
Z_E	—	0.75	—
c_2	0.19	0.20	0.21
D_2	—	3.30	—
E_2	—	3.30	—