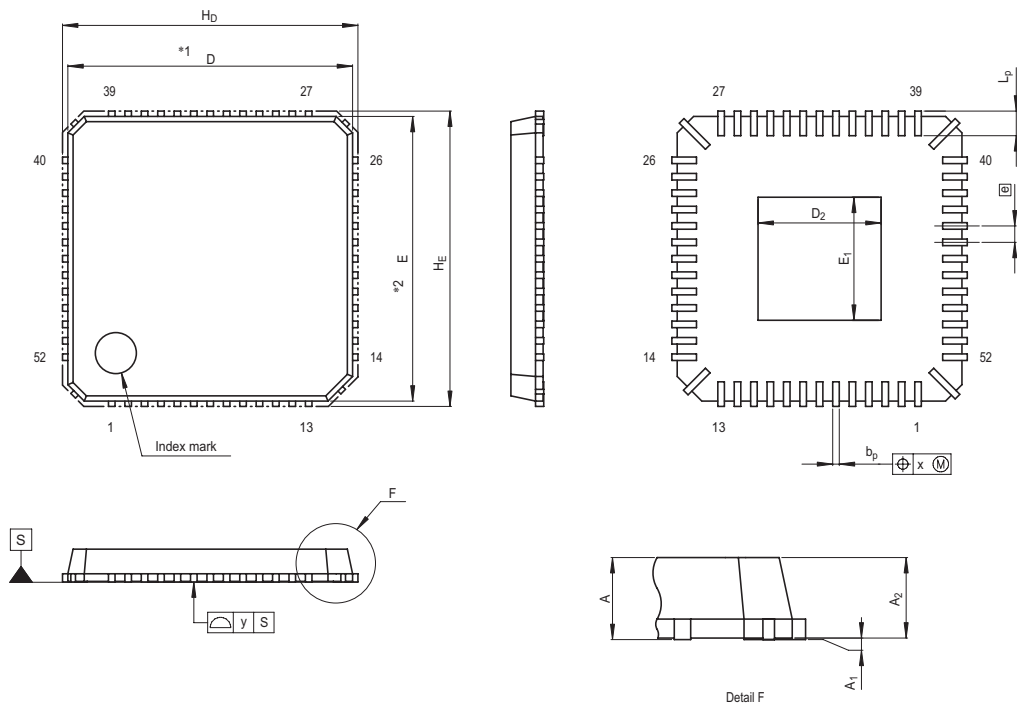


JEITA Package Code	RENESAS Code	Previous Code	MASS[Typ.]
P-HVQFN52-7x7-0.40	PVQN0052LA-B	52PJV-B	0.08g



Note)
1. DIMENSIONS **1* AND **2*
DO NOT INCLUDE MOLD FLASH.

Reference Symbol	Dimension in Millimeters		
	Min	Nom	Max
D	6.9	7.0	7.1
E	6.9	7.0	7.1
A ₂	—	0.78	—
A	—	—	1.0
A ₁	0	0.02	0.05
b _p	0.11	0.16	0.21
Ⓜ	—	0.4	—
L _p	0.45	0.6	0.75
x	—	—	0.05
y	—	—	0.05
H _D	7.0	7.2	7.4
H _E	7.0	7.2	7.4
D ₂	—	3.0	—
E ₁	—	3.0	—