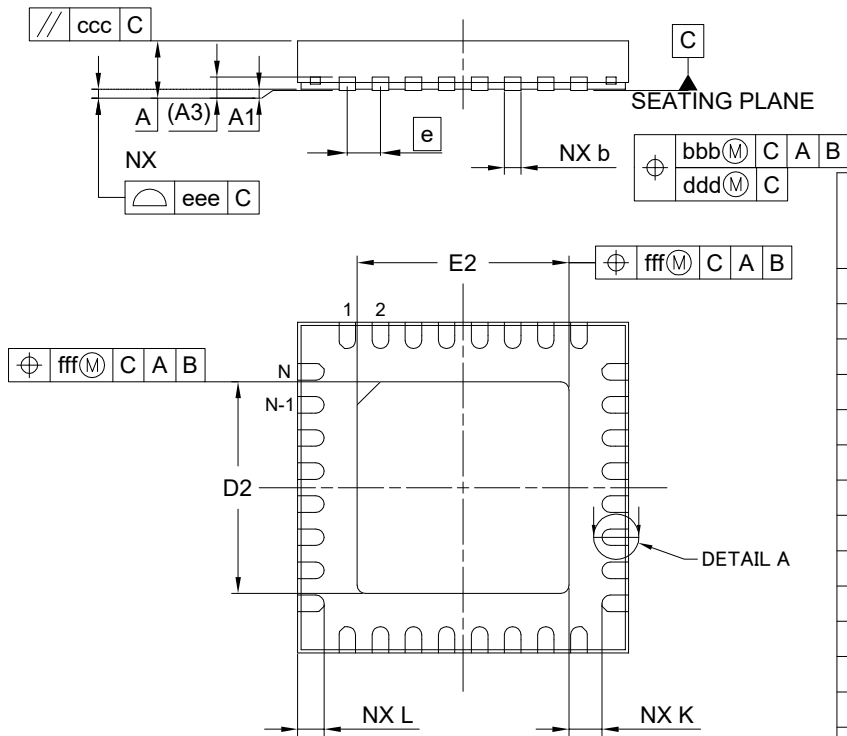
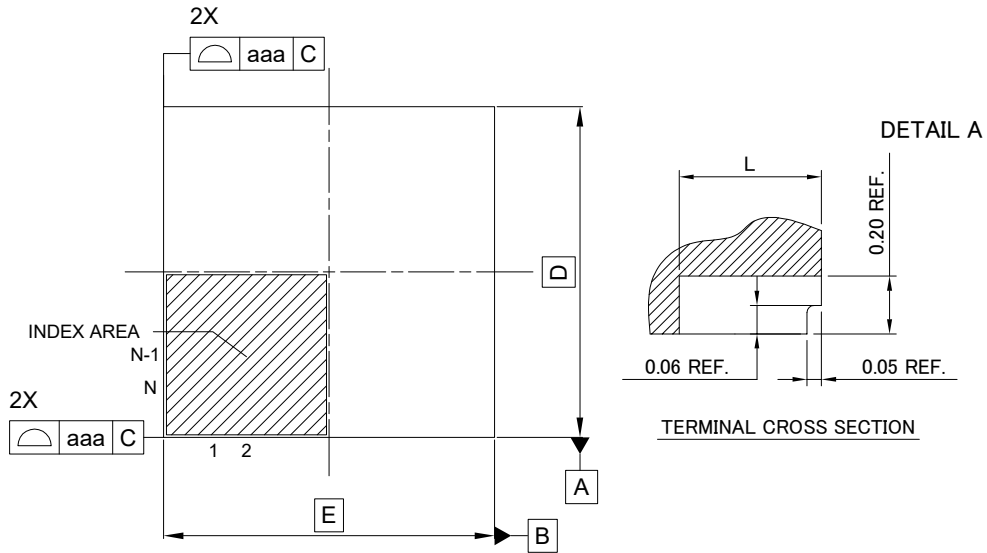


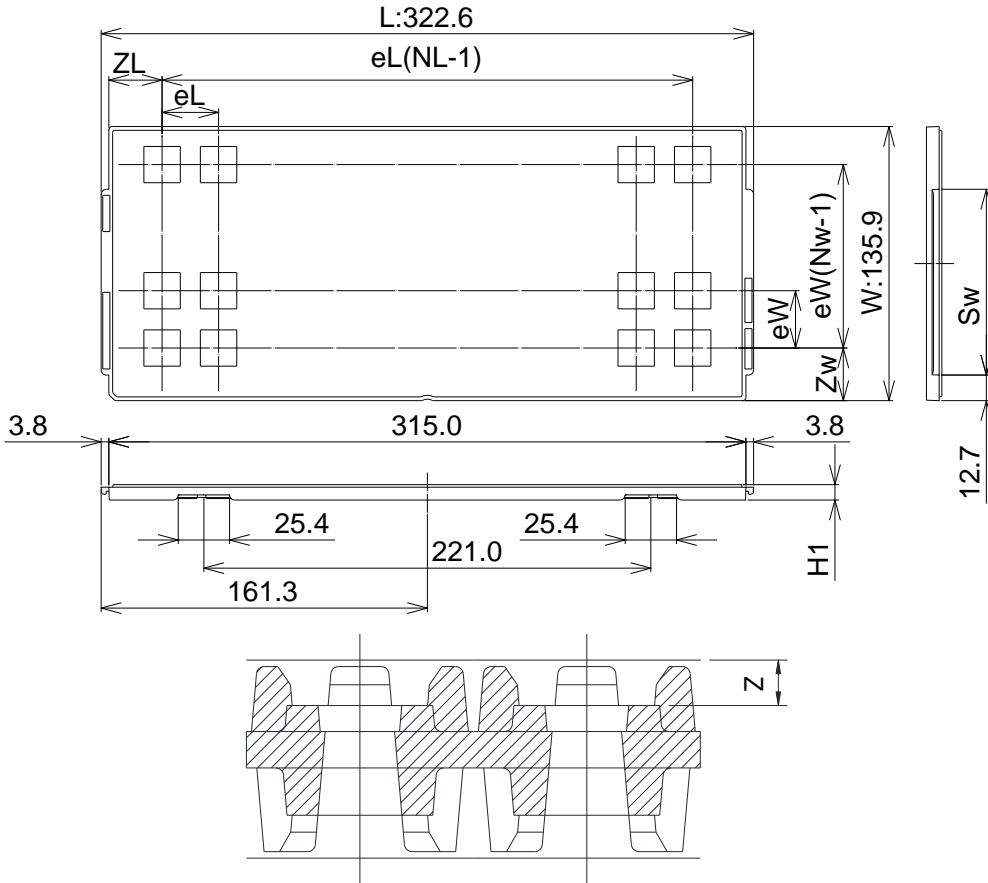
JEITA Package code	RENESAS code	MASS(TYP.)[g]
P-HWQFN032-5x5-0.50	PWQN0032KF-B	0.06



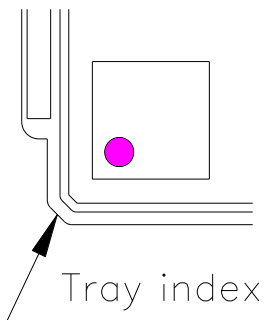
Reference Symbol	Dimension in Millimeters		
	Min.	Nom.	Max.
A	—	—	0.80
A1	0.00	—	0.05
A3	0.20 REF.		
b	0.18	0.25	0.30
D	—	5.00	—
E	—	5.00	—
e	—	0.50	—
N	32		
L	0.35	0.40	0.45
K	0.20	—	—
D2	3.15	3.20	3.25
E2	3.15	3.20	3.25
aaa	—	—	0.15
bbb	—	—	0.10
ccc	—	—	0.10
ddd	—	—	0.05
eee	—	—	0.08
fff	—	—	0.10

包装仕様 Packing Specification
 トレイ包装図 Tray Outline Drawing
 EAM050501-10

Unit:mm

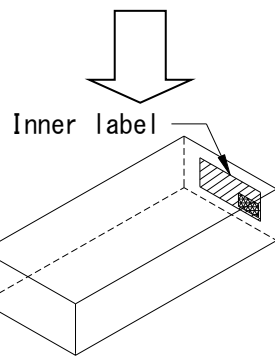
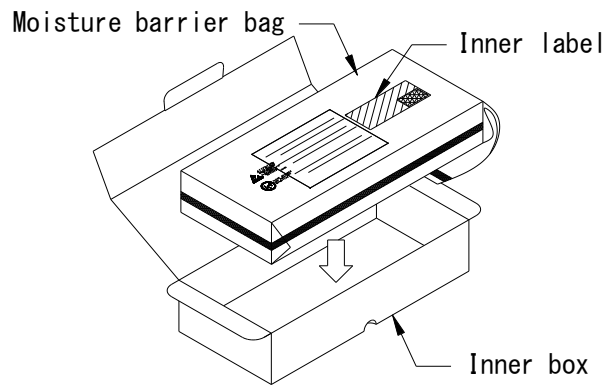
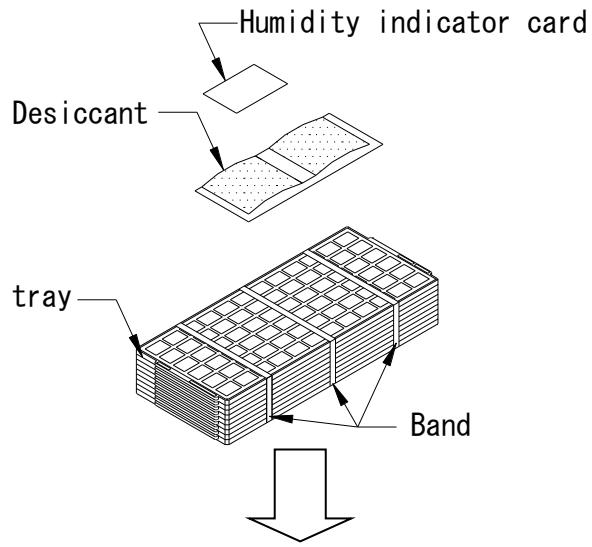


The pin1 is located in the hatching portion.

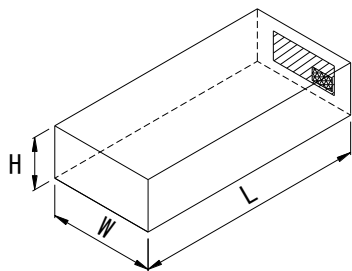


Tray Code		EAM050501-10
Position dimension of cells	Z	1.75
	Zw	8.15
	ZL	7.90
	eW	9.20
	eL	8.80
	Sw	92.1
Thickness (mm)	H1	7.62
Number of cells	Nw	14
	NL	35
Maximum storage pcs IC/Tray		490
Maximum storage pcs IC/Inner box		3920
Material		Carbon PPE
Heat resistant temperature		135°C MAX
JEDEC or Custom		JEDEC
Surface resistance		Less than $1 \times 10^{11} \Omega / \square$

包装仕様 Packing Specification
トレイ荷姿図 Tray Packing
 (Complete dry pack)



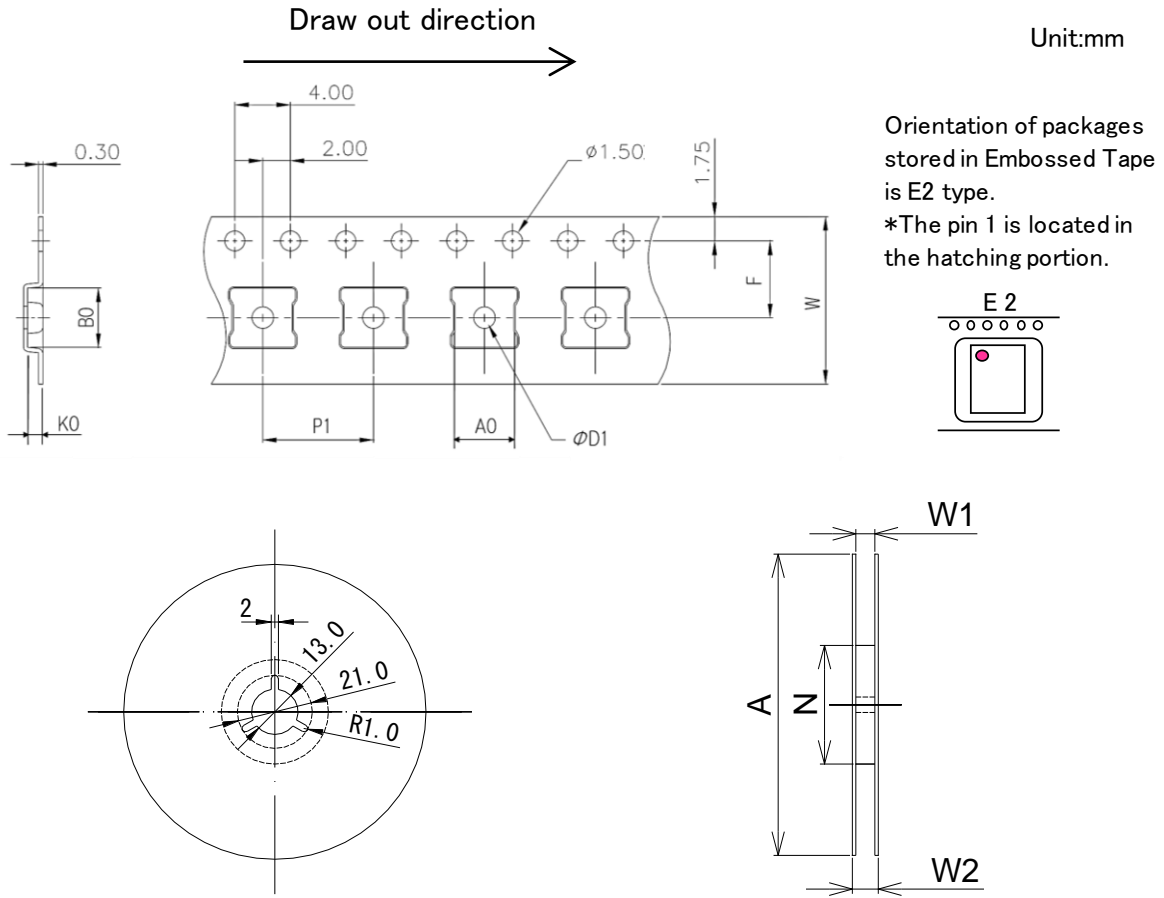
Inner box size



Unit:mm

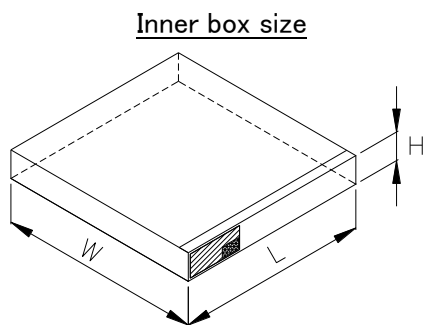
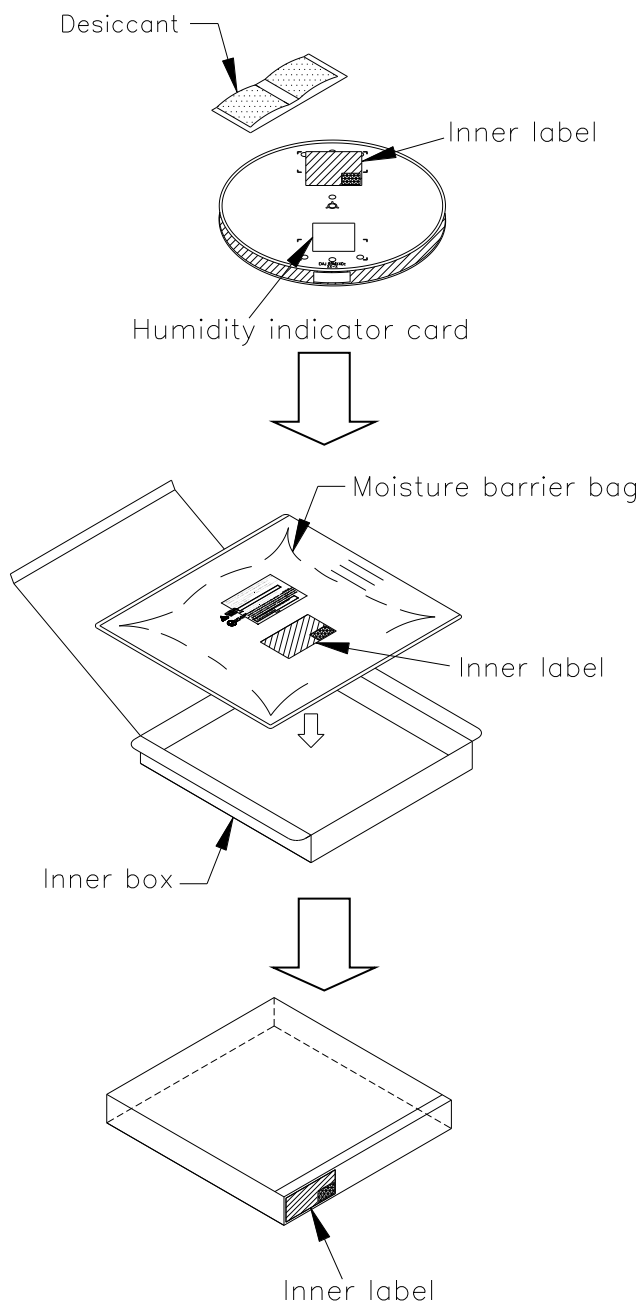
L	W	H
330	152	75

包装仕様 Packing Specification
 テープ&リール包装図
 Tape & Reel Outline Drawing
 ECPKG0505-151



Tape Code		ECPKG0505-151
Tape Dimensions (mm)	W	12.0
	P1	8.0
	A0	5.3
	B0	5.3
	K0	1.1
	F	5.5
	D1	1.6
Reel Dimensions (mm)	A	330
	N	102
	W1	12.8
	W2	18.4
Maximum storage Pcs. IC/ Reel		2500
Material		Carbon PS
Surface resistance		$1.0 \times 10^4 \leq R < 1.0 \times 10^{11} \Omega$

包装仕様 Packing Specification
 テープ&リール荷姿図 Tape & Reel Packing
 (Tape dry pack)



Unit:mm

L	W	H
347	368	54