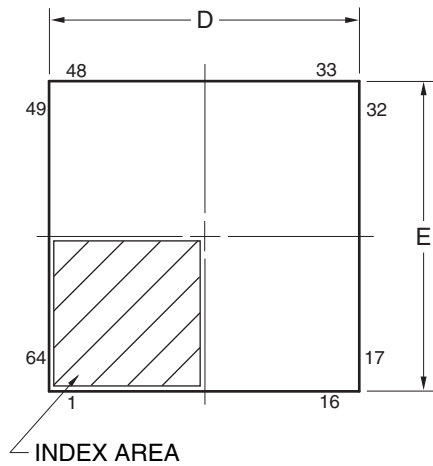
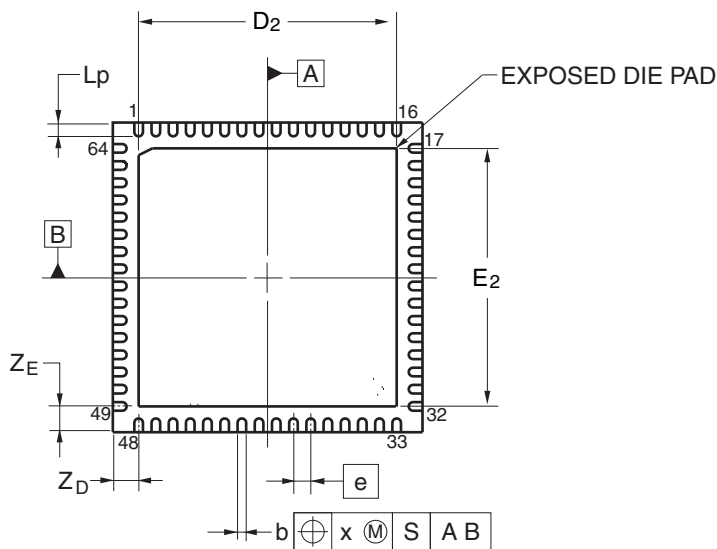
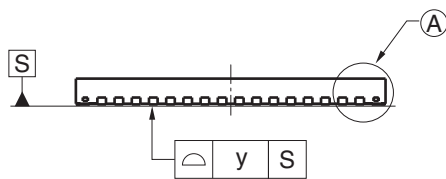
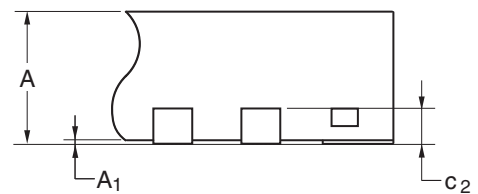


JEITA Package code	RENESAS code	Previous code	MASS(TYP.)[g]
P-HWQFN64-9x9-0.50	PWQN0064KC-A	P64K8-50-6B4-4	0.21



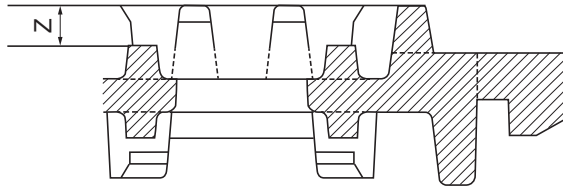
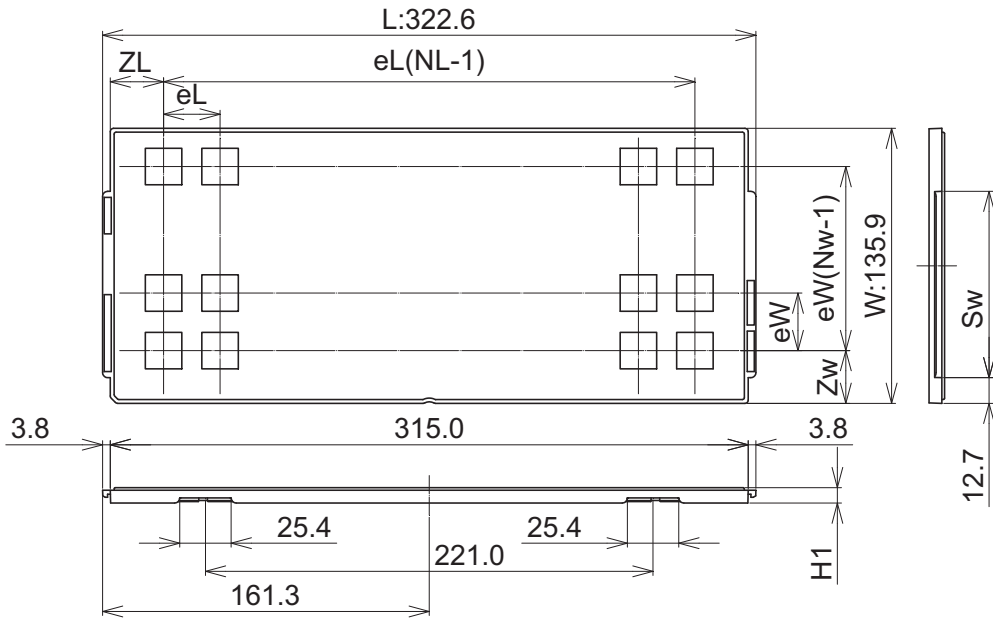
DETAIL OF (A) PART



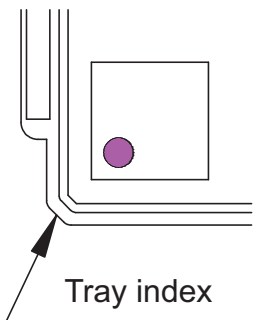
Reference Symbol	Dimension in Millimeters		
	Min	Nom	Max
D	8.95	9.00	9.05
E	8.95	9.00	9.05
A	—	—	0.80
A <sub>1</sub>	0.00	—	—
b	0.18	0.25	0.30
ⓔ	—	0.50	—
L <sub>p</sub>	0.30	0.40	0.50
x	—	—	0.05
y	—	—	0.05
Z <sub>D</sub>	—	0.75	—
Z <sub>E</sub>	—	0.75	—
c <sub>2</sub>	0.15	0.20	0.25
D <sub>2</sub>	—	7.50	—
E <sub>2</sub>	—	7.50	—

**Packing Specification  
Tray Outline Drawing  
Rev.A EAM090902-10**

Unit: mm



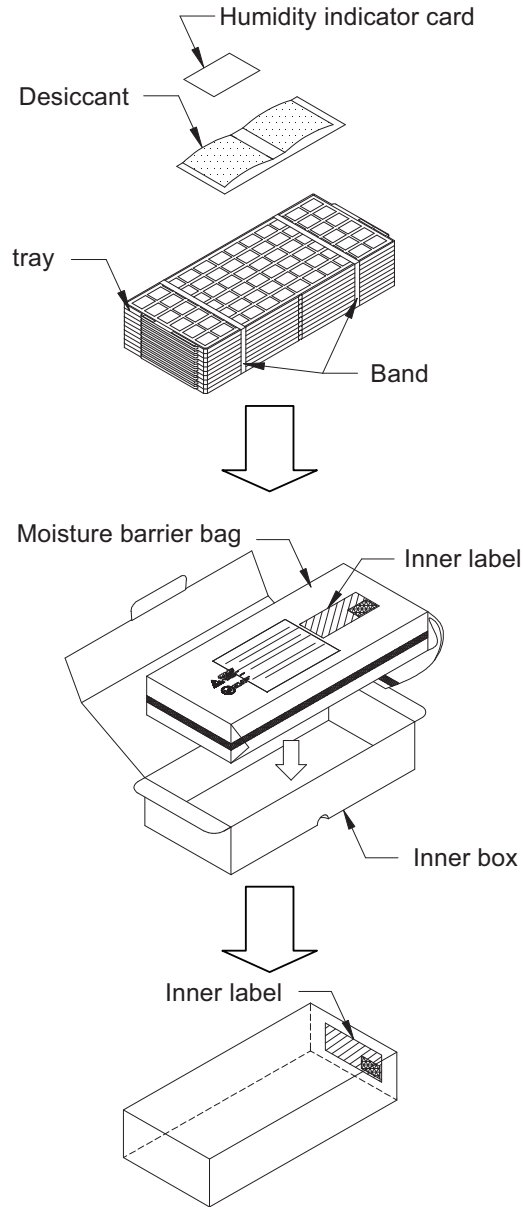
The pin1 is located in the hatching portion.



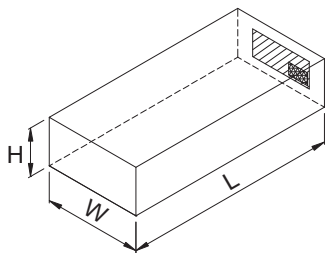
Tray Code		Rev.A EAM090902-10
Position dimension of cells	Z	1.7
	Zw	10.35
	ZL	10.0
	eW	12.8
	eL	11.8
	Sw	92.1
Thickness (mm)	H1	7.62
Number of cells	Nw	10
	NL	26
Maximum storage No. IC/Tray		260
Maximum storage No. IC/Inner box		2080
Material		Carbon PPE
Heat resistant temperature		135°C MAX
JEDEC or Custom		JEDEC
Surface resistance		Less than $1 \times 10^{11} \Omega/\square$

RDK-H-000728

**Packing Specification**  
**Tray Packing**  
**(Complete dry pack)**



Inner box size



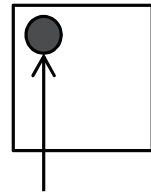
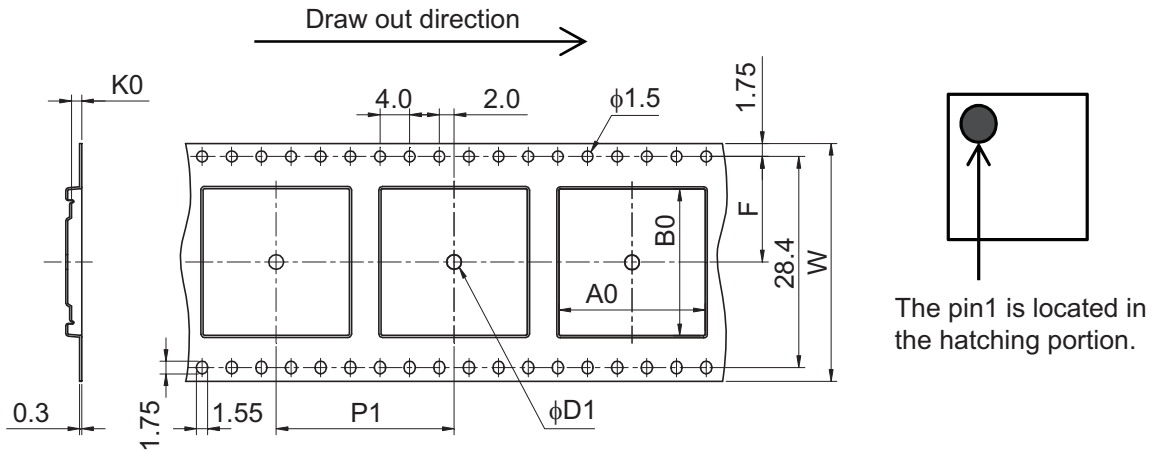
Unit: mm

L	W	H
330	152	75

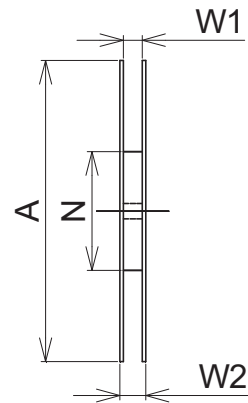
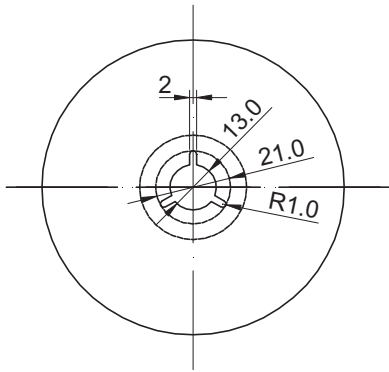
RDK-H-000216

**Packing Specification**  
**Tape & Reel Outline Drawing**  
**MTE3224H-100P6Q-A**

Unit: mm



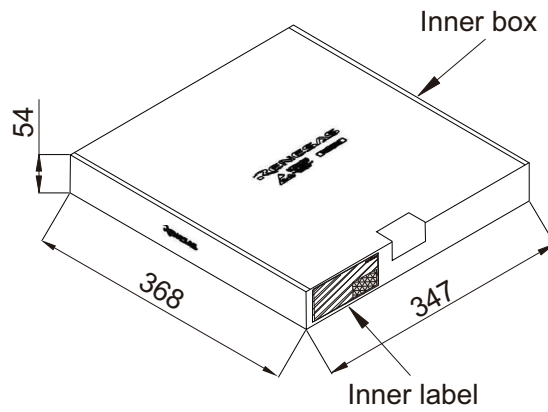
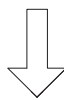
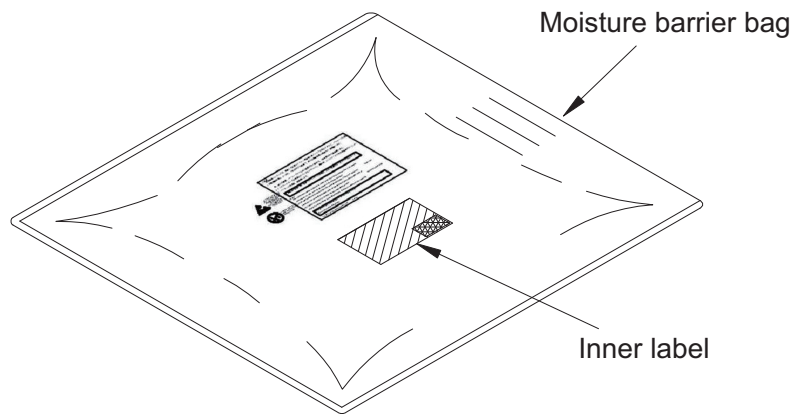
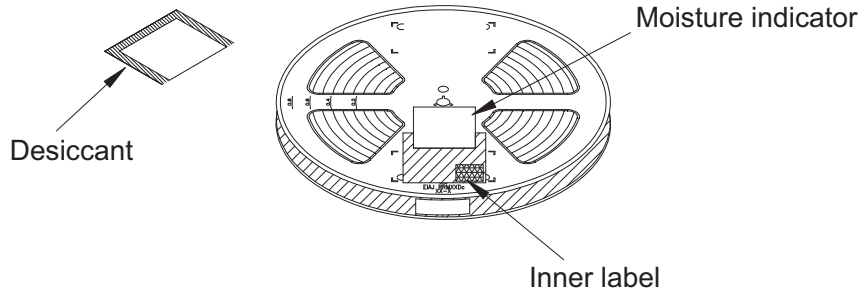
The pin1 is located in the hatching portion.



Tape Code		MTE3224H-100P6Q-A
Tape Dimensions (mm)	W	32.0
	P1	24.0
	A0	17.3
	B0	17.3
	K0	1.55
	F	14.2
	D1	2.0
Reel Dimensions (mm)	A	330
	N	100
	W1	33.4
	W2	37.4
Maximum storage No. IC/ Reel		1000
Material		Carbon PS
Surface resistance		Less than $1 \times 10^{11} \Omega/\square$

RDH-H-000428

**Packing Specification  
Tape & Reel Packing  
(Tape dry pack)**



RDK-H-000152

© 2017 Renesas Electronics Corporation. All rights reserved.