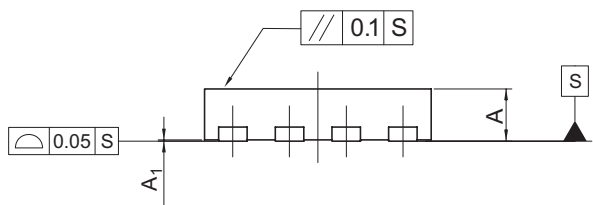
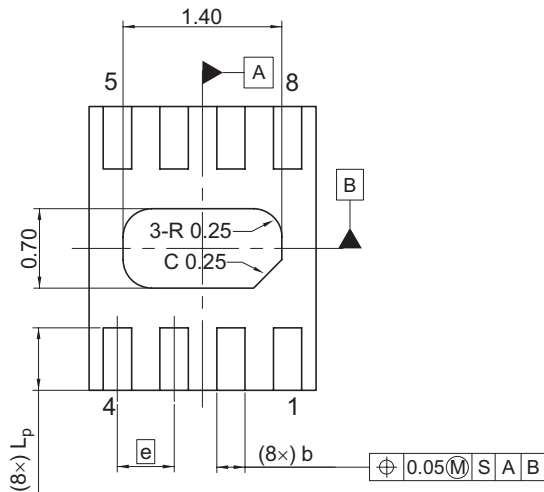
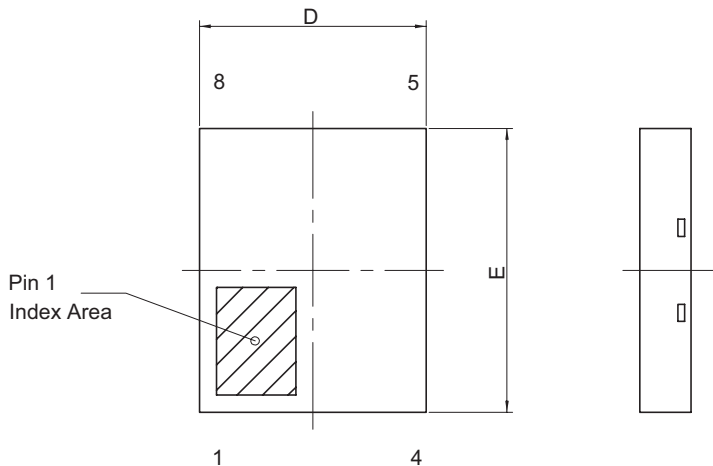


JEITA Package Code	RENESAS Code	Previous Code	MASS[Typ.]
P-HXSON8-2.5x2.0-0.50	PXSN0008KB-A	—	0.0068g



Reference Symbol	Dimension in Millimeters		
	Min	Nom	Max
A	—	—	0.50
A ₁	0	—	0.05
b	0.20	0.25	0.30
D	1.90	2.00	2.10
E	2.40	2.50	2.60
e	—	0.5	—
L _p	0.45	0.55	0.65