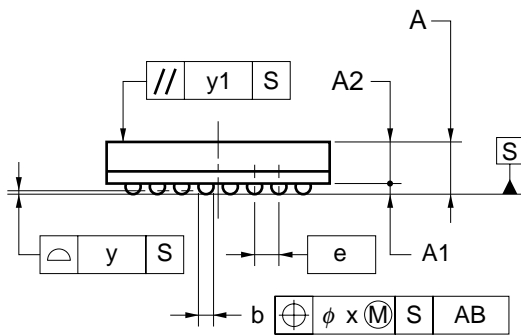
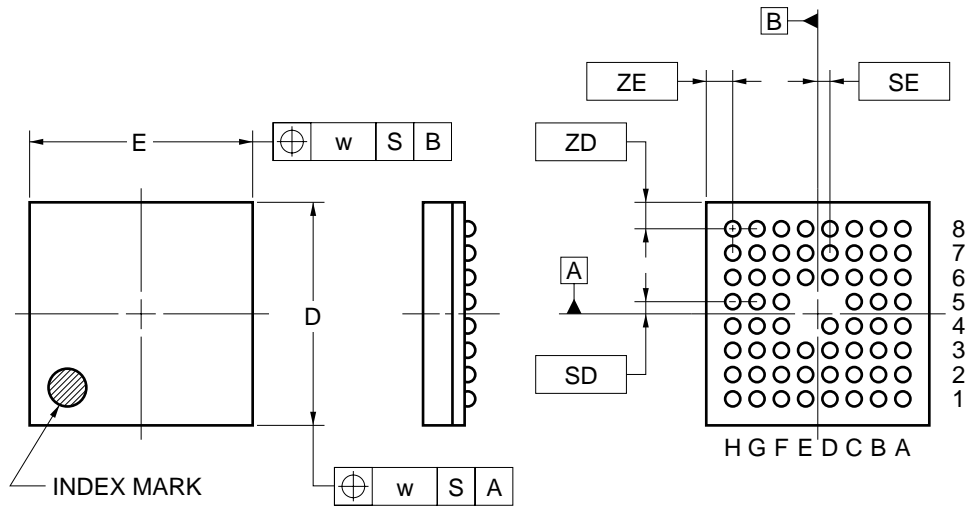


61-PIN PLASTIC FBGA (6x6)



| ITEM | MILLIMETERS |
|------|-------------|
| D | 6.00±0.10 |
| E | 6.00±0.10 |
| w | 0.15 |
| A | 1.43±0.10 |
| A1 | 0.30±0.05 |
| A2 | 1.13 |
| e | 0.65 |
| SD | 0.325 |
| SE | 0.325 |
| b | 0.40±0.05 |
| x | 0.08 |
| y | 0.10 |
| y1 | 0.20 |
| ZD | 0.725 |
| ZE | 0.725 |

P61F1-65-BA1