

JEITA Package Code

P-LFQFP48-7x7-0.50

RENESAS Code

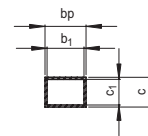
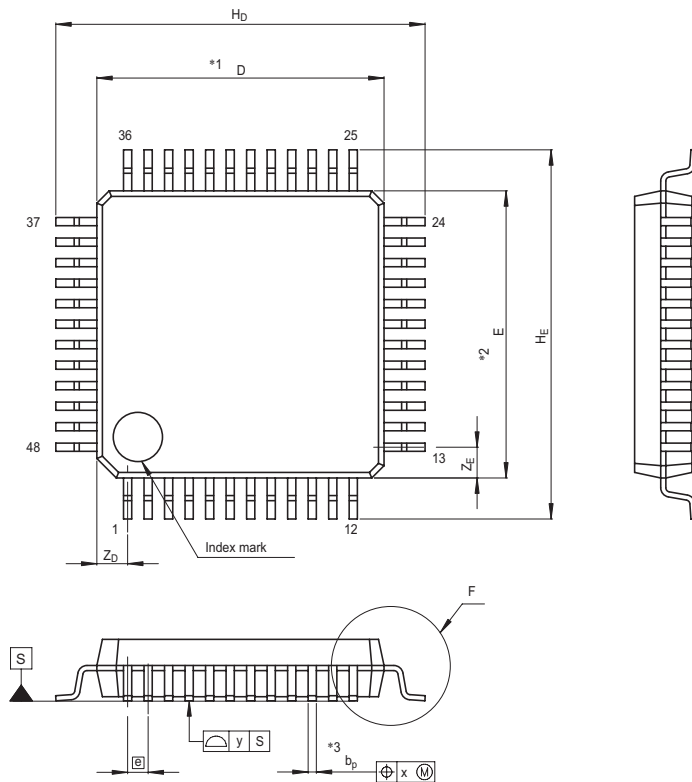
PLQP0048KB-A

Previous Code

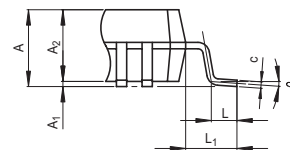
48P6Q-A

MASS[Typ.]

0.2g



Terminal cross section



Detail F

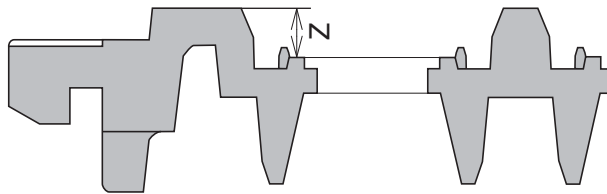
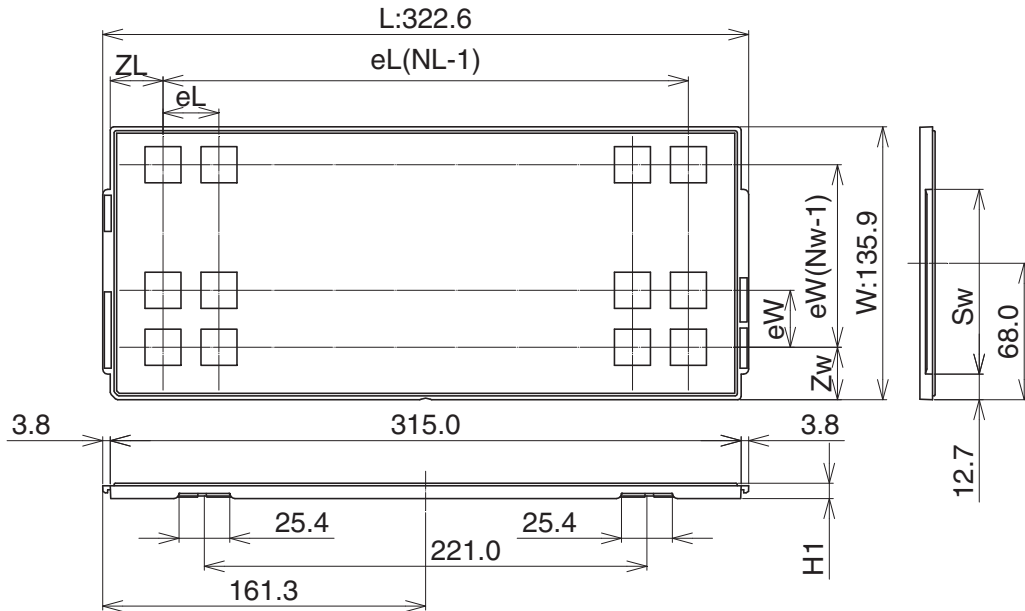
NOTE)

1. DIMENSIONS $*1*$ AND $*2*$ DO NOT INCLUDE MOLD FLASH.
2. DIMENSION $*3*$ DOES NOT INCLUDE TRIM OFFSET.

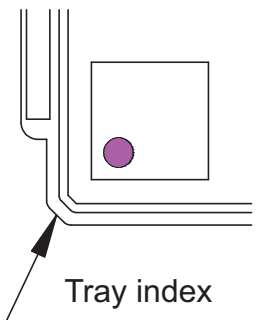
| Reference Symbol | Dimension in Millimeters | | |
|------------------|--------------------------|-------|------|
| | Min | Nom | Max |
| D | 6.9 | 7.0 | 7.1 |
| E | 6.9 | 7.0 | 7.1 |
| A_2 | — | 1.4 | — |
| H_D | 8.8 | 9.0 | 9.2 |
| H_E | 8.8 | 9.0 | 9.2 |
| A | — | — | 1.7 |
| A_1 | 0 | 0.1 | 0.2 |
| b_p | 0.17 | 0.22 | 0.27 |
| b_1 | — | 0.20 | — |
| c | 0.09 | 0.145 | 0.20 |
| c_1 | — | 0.125 | — |
| θ | 0° | — | 8° |
| [E] | — | 0.5 | — |
| x | — | — | 0.08 |
| y | — | — | 0.10 |
| Z_D | — | 0.75 | — |
| Z_E | — | 0.75 | — |
| L | 0.35 | 0.5 | 0.65 |
| L_1 | — | 1.0 | — |

**Packing Specification
Tray Outline Drawing
LQFP7x7x1.4**

Unit: mm



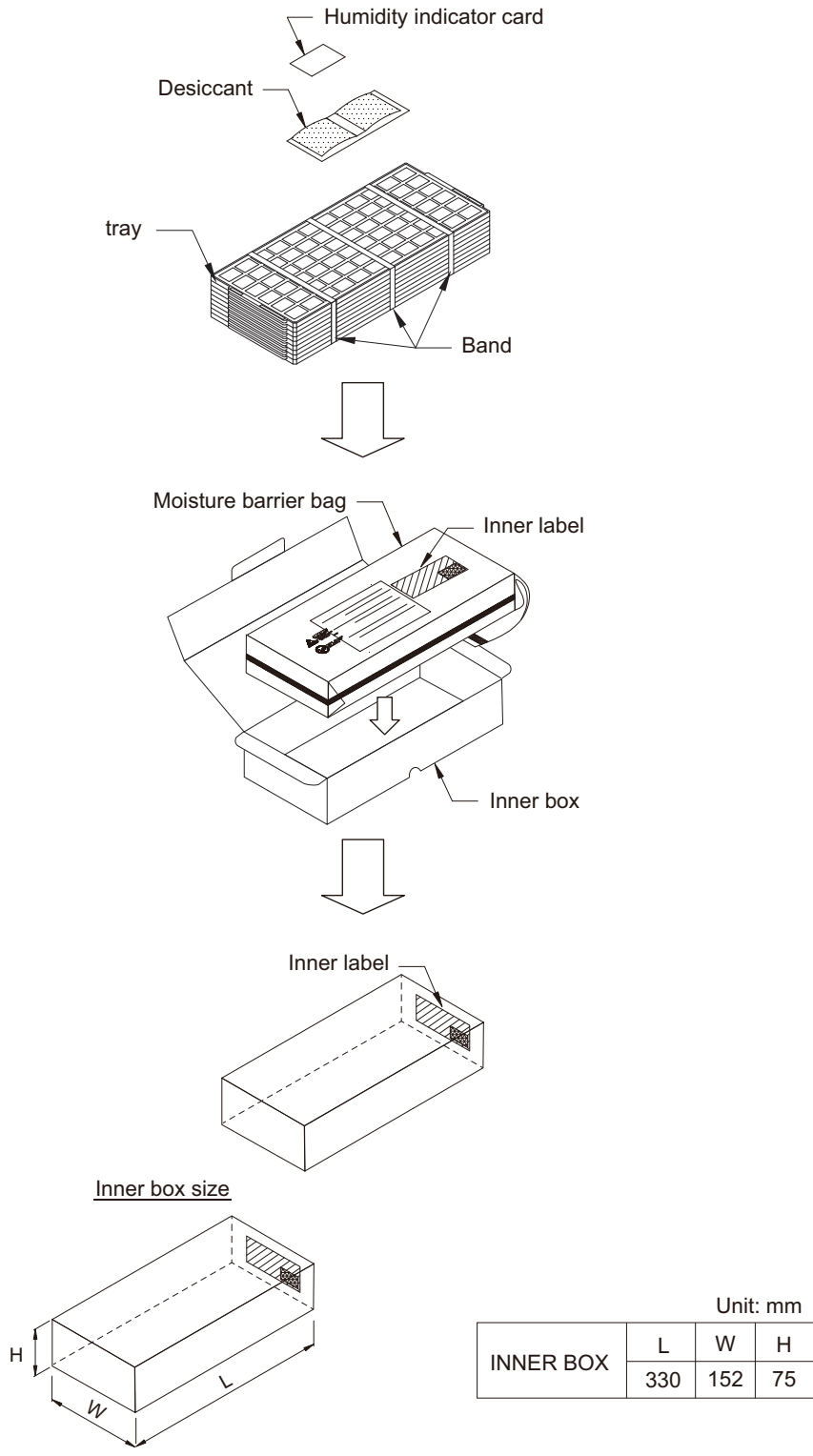
The pin1 is located in the hatching portion.



| Tray Code | | LQFP7x7x1.4 |
|-----------------------------------|----|---|
| Position dimension of cells | Z | 2.0 |
| | Zw | 11.25 |
| | ZL | 11.1 |
| | eW | 12.6 |
| | eL | 12.2 |
| | Sw | 92.1 |
| Thickness (mm) | H1 | 7.62 |
| Number of cells | Nw | 10 |
| | NL | 25 |
| Maximum storage pcs. IC/Tray | | 250 |
| Maximum storage pcs. IC/Inner box | | 2000 |
| Material | | Carbon PPE |
| Heat resistant temperature | | 135°C MAX |
| JEDEC or Custom | | JEDEC |
| Surface resistance | | Less than $1 \times 10^{11} \Omega/\square$ |

RDK-H-000596

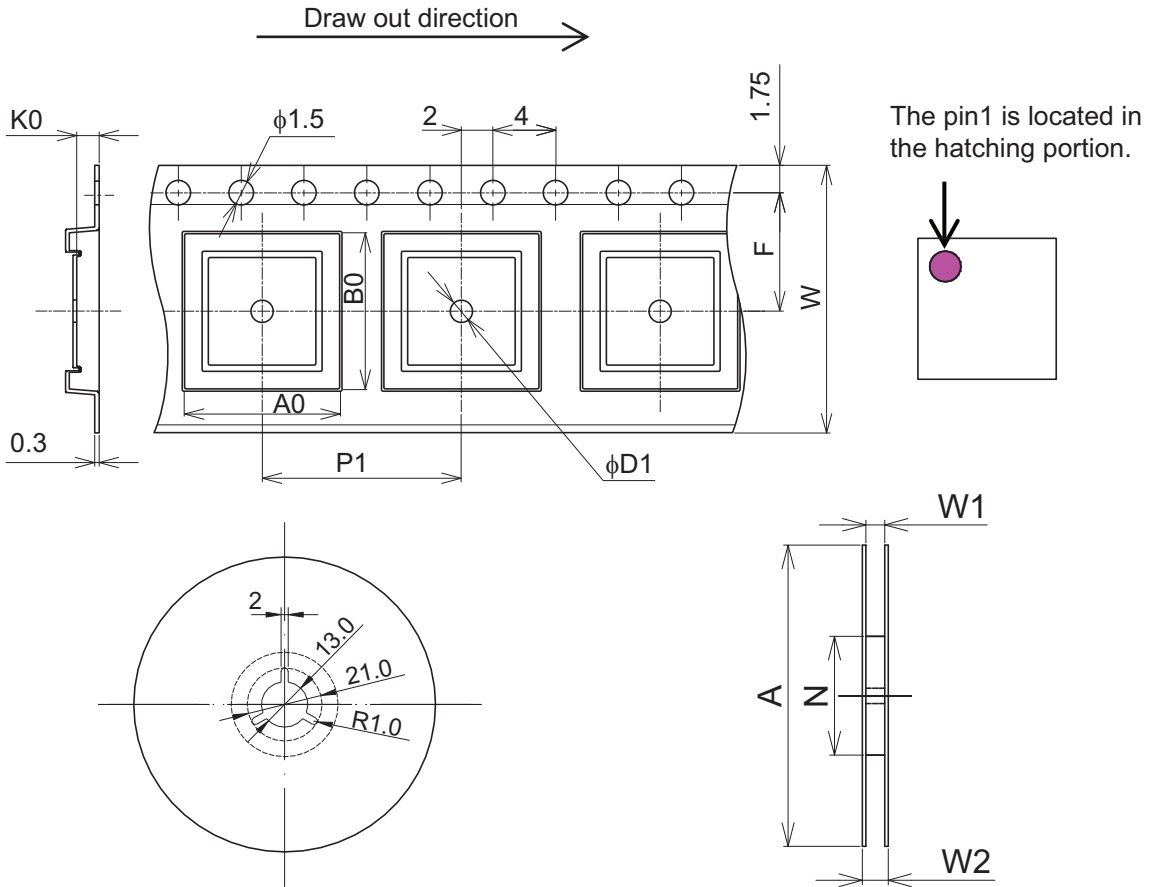
Packing Specification
Tray Packing
(Tray dry pack)



H-000531

**Packing Specification
Tape & Reel Outline Drawing
E1612Q07RA**

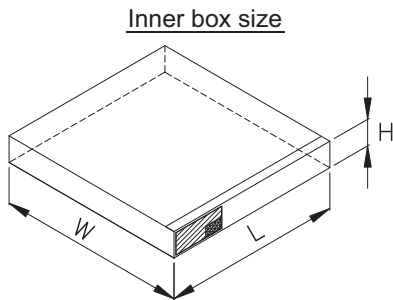
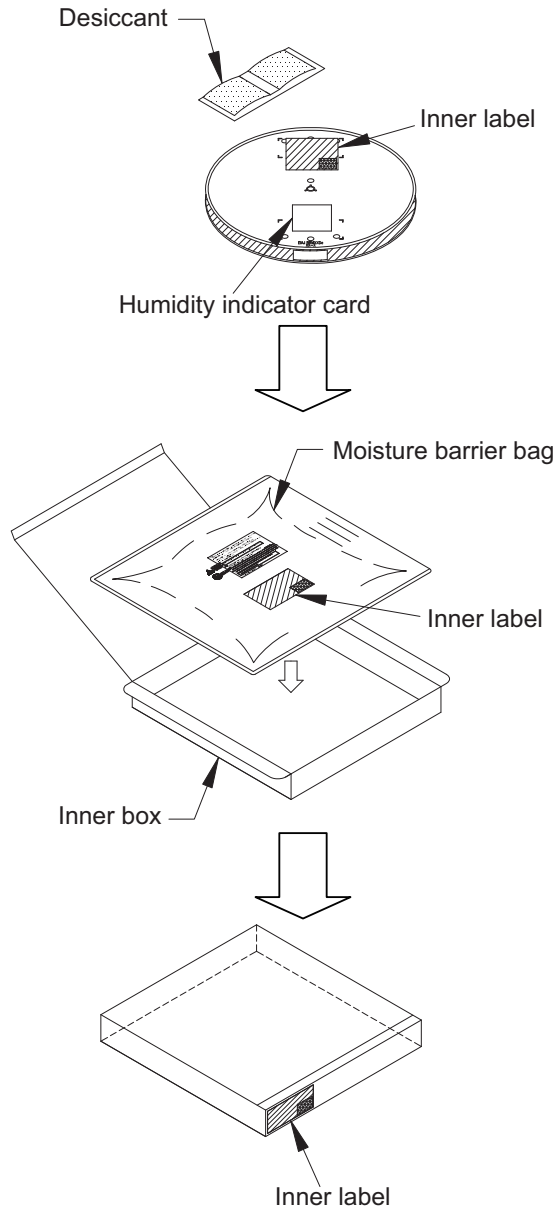
Unit: mm



| Tape Code | | E1612Q07RA |
|-------------------------------|----|---|
| Tape Dimensions (mm) | W | 16.0 |
| | P1 | 12.0 |
| | A0 | 9.5 |
| | B0 | 9.5 |
| | K0 | 1.40 |
| | F | 7.50 |
| | D1 | 1.5 |
| Reel Dimensions (mm) | A | 330 |
| | N | 100 |
| | W1 | 17.4 |
| | W2 | 21.4 |
| Maximum storage Pcs. IC/ Reel | | 2000 |
| Material | | Carbon PS |
| Surface resistance | | Less than $1 \times 10^{11} \Omega/\square$ |

H-001563

Packing Specification
Tape & Reel Packing
(Tape dry pack)



Unit: mm

| L | W | H |
|-----|-----|----|
| 347 | 368 | 54 |

H-000248