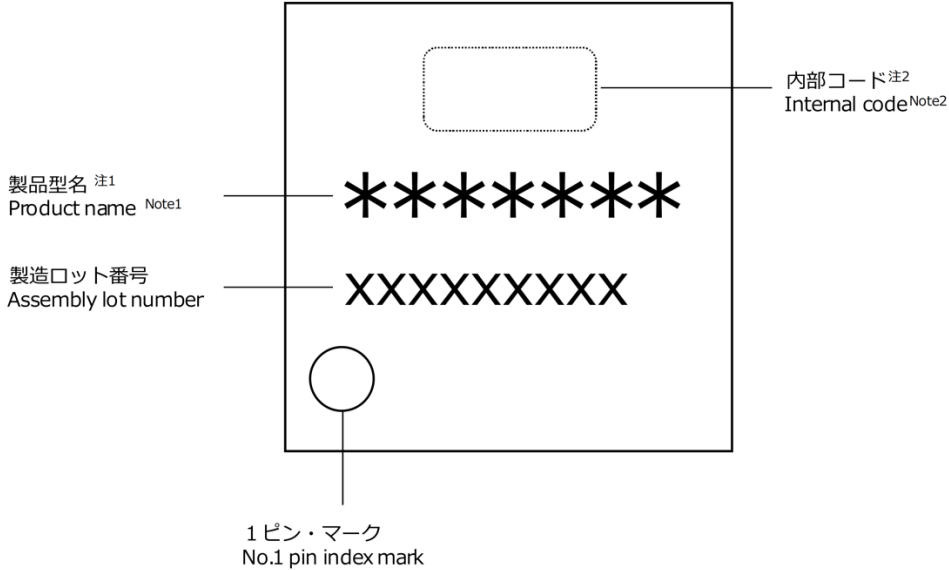
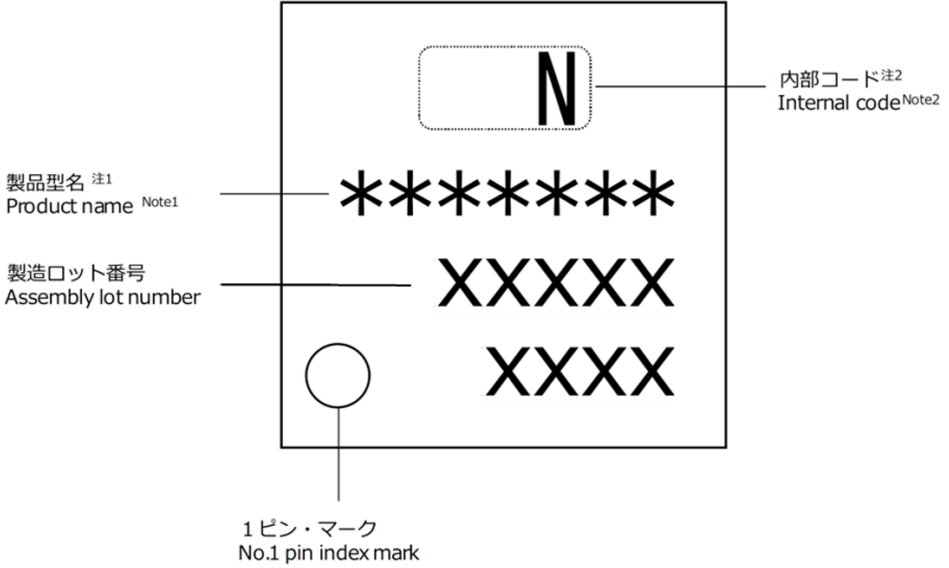
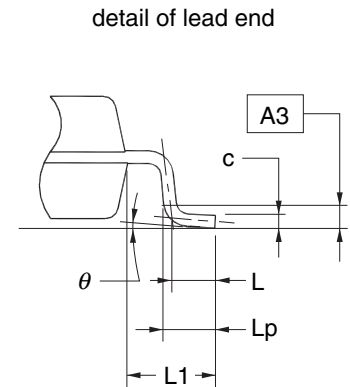
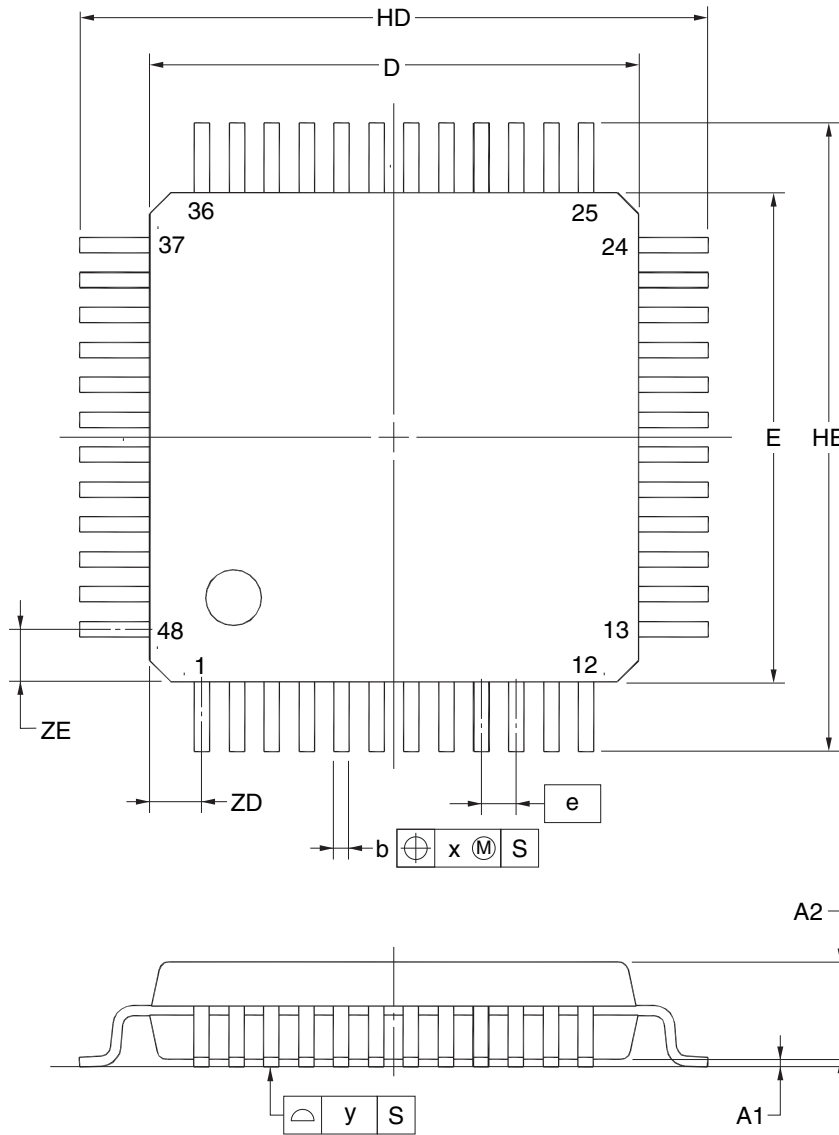


捺印、外形図紐づけ資料

 <p>製品型名 注1 Product name Note1</p> <p>製造ロット番号 Assembly lot number</p> <p>内部コード注2 Internal code Note2</p> <p>1ピン・マーク No.1 pin index mark</p>	 <p>製品型名 注1 Product name Note1</p> <p>製造ロット番号 Assembly lot number</p> <p>内部コード注2 Internal code Note2</p> <p>1ピン・マーク No.1 pin index mark</p>
<p>RENESAS Code : PLQP0048KF-A</p>	<p>RENESAS Code : PLQP0048KB-A</p>

JEITA Package Code	RENESAS Code	Previous Code	MASS (TYP.) [g]
P-LFQFP48-7x7-0.50	PLQP0048KF-A	P48GA-50-8EU-1	0.16



(UNIT:mm)

ITEM	DIMENSIONS
D	7.00±0.20
E	7.00±0.20
HD	9.00±0.20
HE	9.00±0.20
A	1.60 MAX.
A1	0.10±0.05
A2	1.40±0.05
A3	0.25
b	0.22±0.05
c	0.145 <sup>+0.055</sup> <sub>-0.045</sub>
L	0.50
Lp	0.60±0.15
L1	1.00±0.20
θ	3° <sup>+5°</sup> <sub>-3°</sub>
e	0.50
x	0.08
y	0.08
ZD	0.75
ZE	0.75

**NOTE**  
Each lead centerline is located within 0.08 mm of its true position at maximum material condition.

JEITA Package Code

RENESAS Code

Previous Code

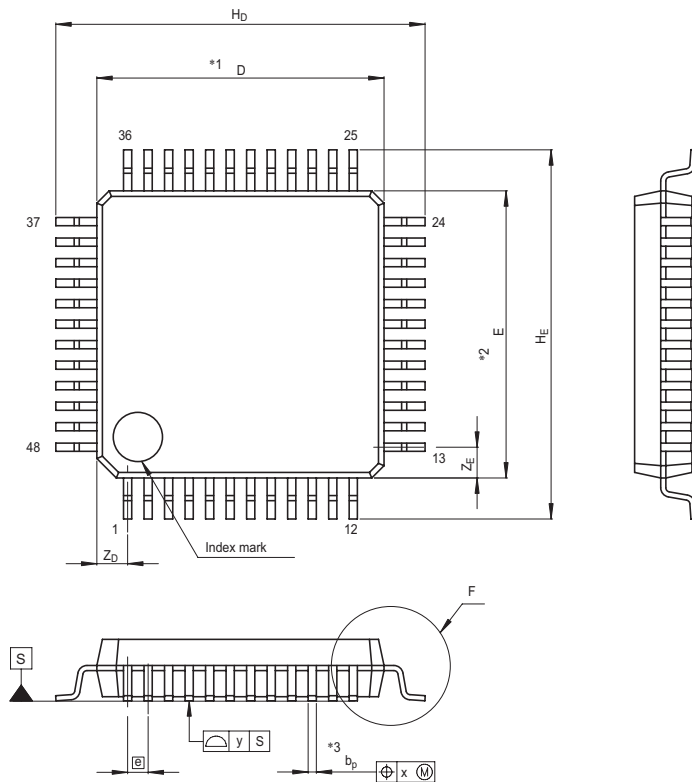
MASS[Typ.]

P-LFQFP48-7x7-0.50

PLQP0048KB-A

48P6Q-A

0.2g



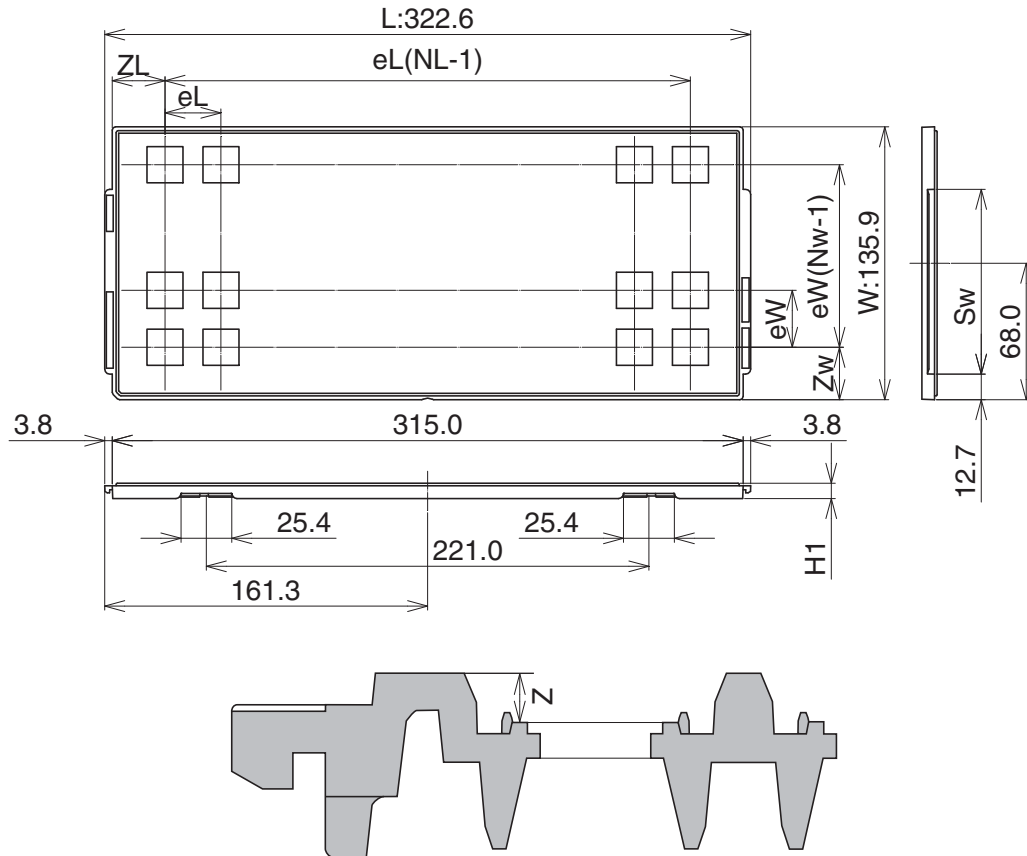
NOTE)

1. DIMENSIONS \*\*1\* AND \*\*2\* DO NOT INCLUDE MOLD FLASH.
2. DIMENSION \*\*3\* DOES NOT INCLUDE TRIM OFFSET.

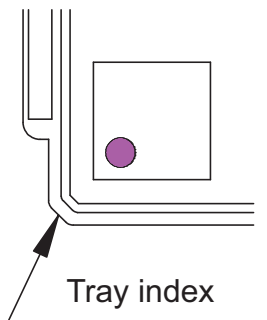
Reference Symbol	Dimension in Millimeters		
	Min	Nom	Max
D	6.9	7.0	7.1
E	6.9	7.0	7.1
$A_2$	—	1.4	—
$H_D$	8.8	9.0	9.2
$H_E$	8.8	9.0	9.2
A	—	—	1.7
$A_1$	0	0.1	0.2
$b_p$	0.17	0.22	0.27
$b_1$	—	0.20	—
c	0.09	0.145	0.20
$c_1$	—	0.125	—
$\theta$	0°	—	8°
$\text{[e]}$	—	0.5	—
x	—	—	0.08
y	—	—	0.10
$Z_D$	—	0.75	—
$Z_E$	—	0.75	—
L	0.35	0.5	0.65
$L_1$	—	1.0	—

**Packing Specification  
Tray Outline Drawing  
LQFP7x7x1.4**

Unit: mm



The pin1 is located in the hatching portion.



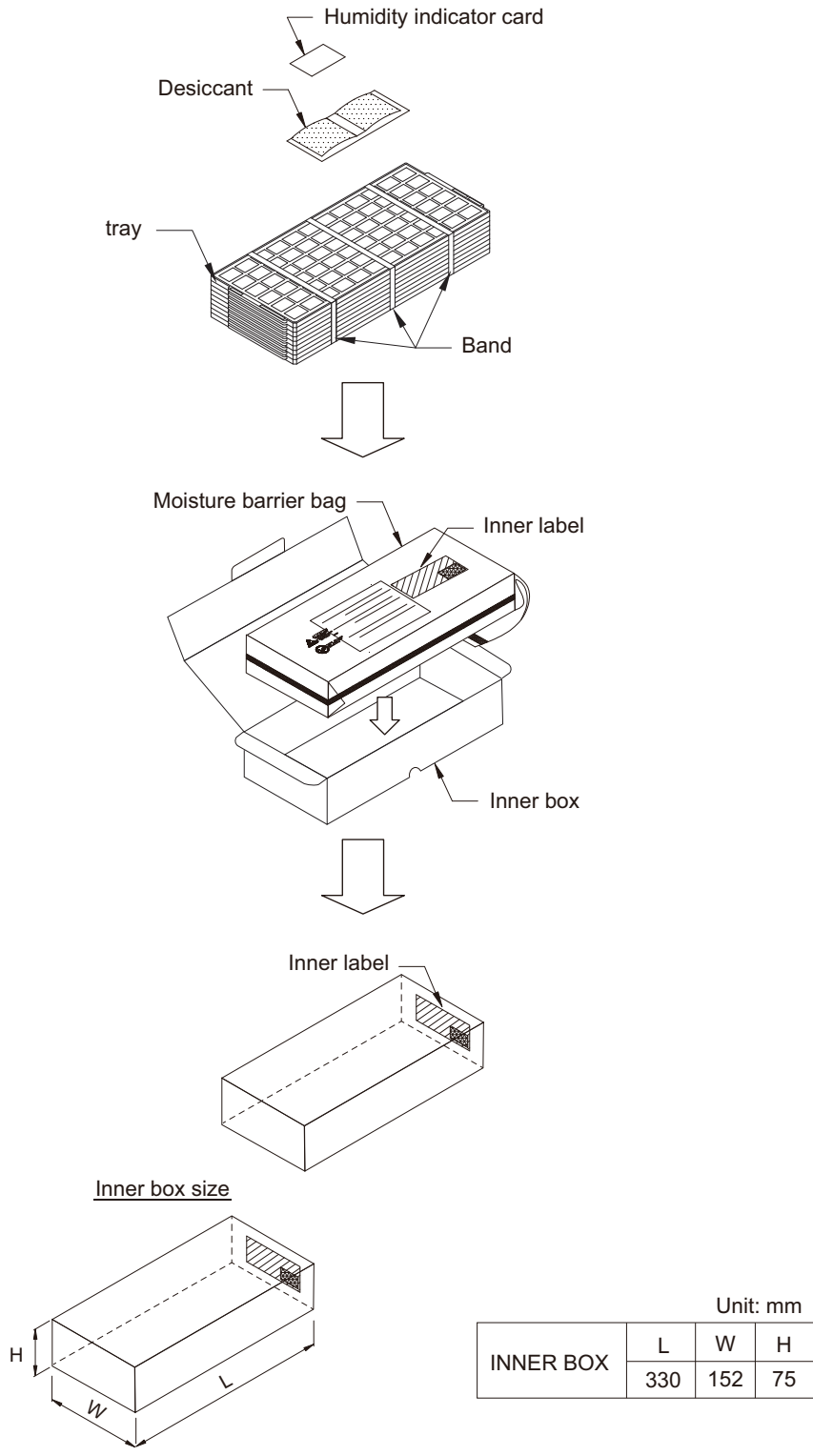
Tray Code		LQFP7x7x1.4
Position dimension of cells	Z	2.0
	Zw	11.25
	ZL	11.1
	eW	12.6
	eL	12.2
	Sw	92.1
Thickness (mm)	H1	7.62
Number of cells	Nw	10
	NL	25
Maximum storage pcs. IC/Tray		250
Maximum storage pcs. IC/Inner box		2000
Material		Carbon PPE
Heat resistant temperature		135°C MAX
JEDEC or Custom		JEDEC
Surface resistance		Less than $1 \times 10^{11} \Omega/\square$

RDK-H-000596

# Packing Specification

## Tray Packing

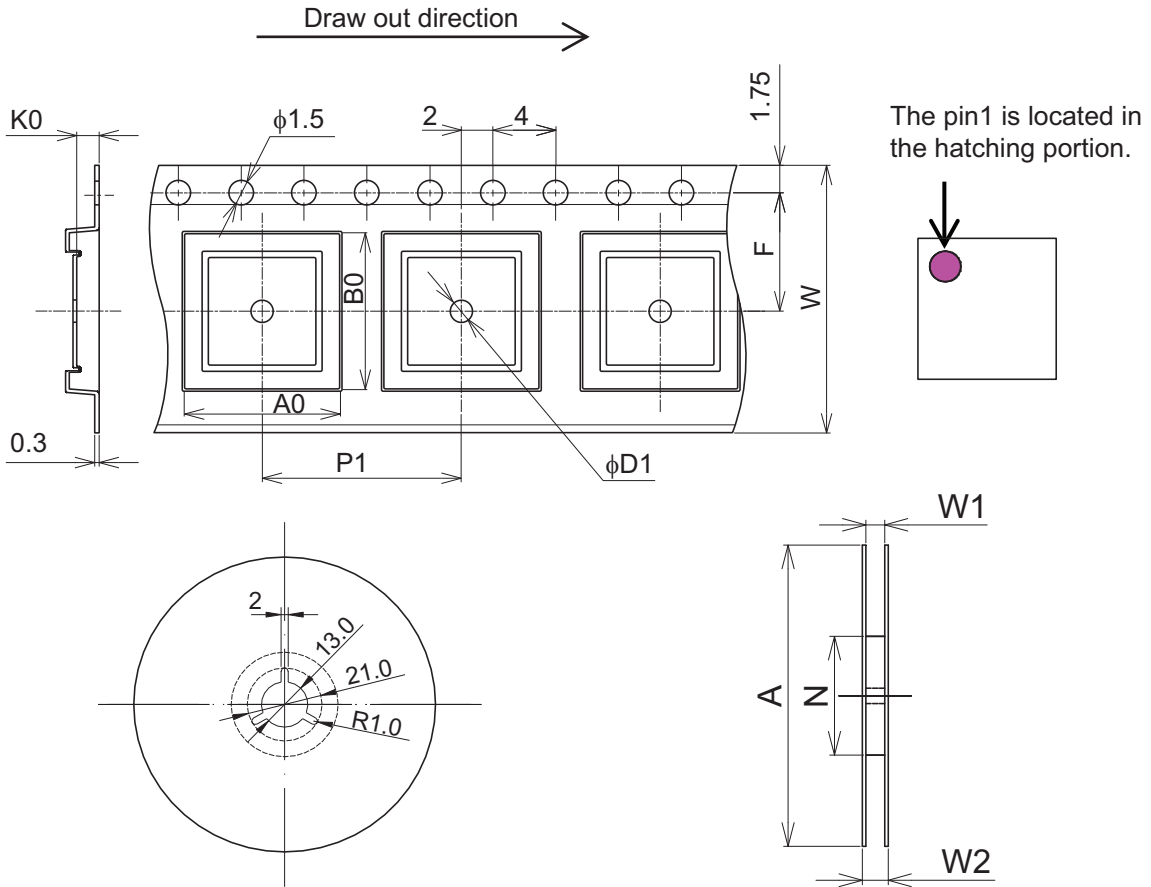
### (Tray dry pack)



H-000531

**Packing Specification  
Tape & Reel Outline Drawing  
E1612Q07RA**

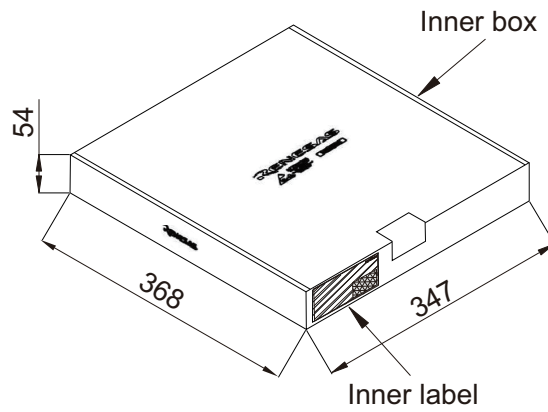
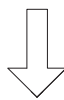
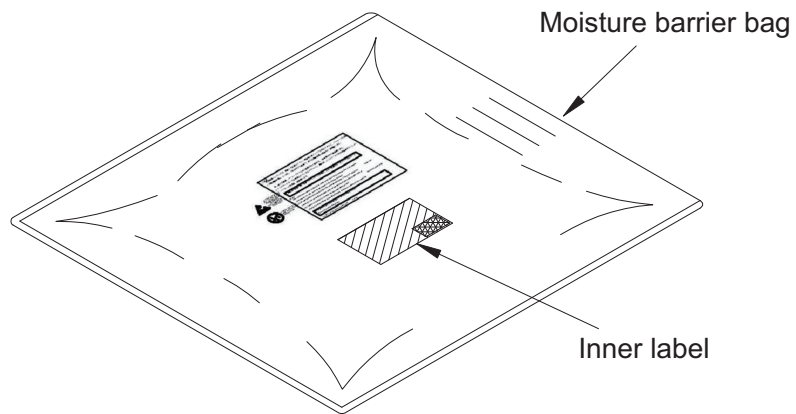
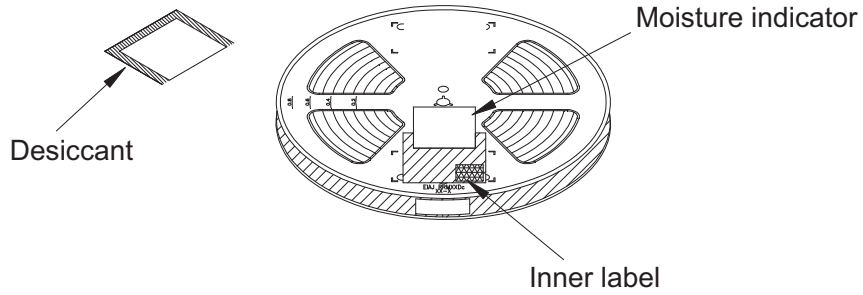
Unit: mm



Tape Code		E1612Q07RA
Tape Dimensions (mm)	W	16.0
	P1	12.0
	A0	9.5
	B0	9.5
	K0	1.40
	F	7.50
	D1	1.5
Reel Dimensions (mm)	A	330
	N	100
	W1	17.4
	W2	21.4
Maximum storage Pcs. IC/ Reel		2000
Material		Carbon PS
Surface resistance		Less than $1 \times 10^{11} \Omega/\square$

H-001563

**Packing Specification  
Tape & Reel Packing  
(Tape dry pack)**



RDK-H-000152

© 2017 Renesas Electronics Corporation. All rights reserved.