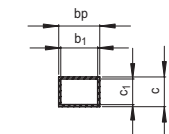
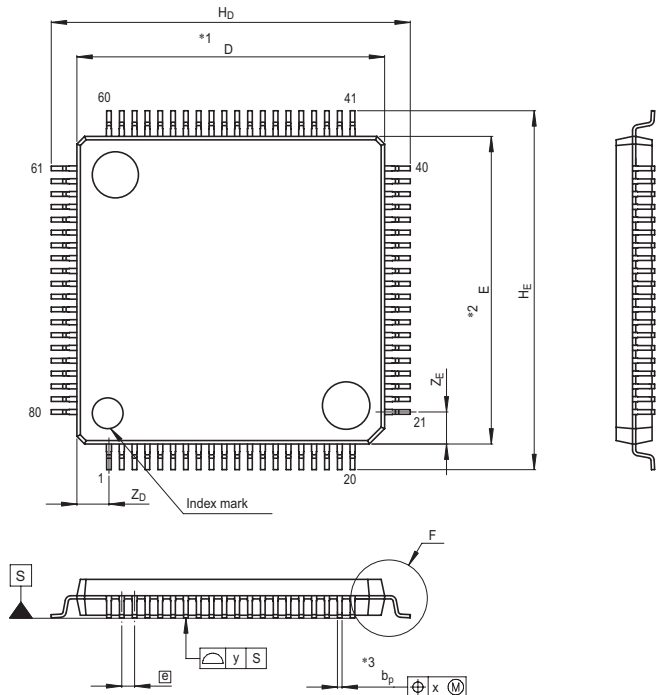
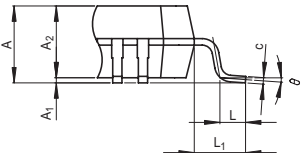


JEITA Package Code	RENESAS Code	Previous Code	MASS[Typ.]
P-LFQFP80-12x12-0.50	PLQP0080KB-A	80P6Q-A	0.5g



Terminal cross section

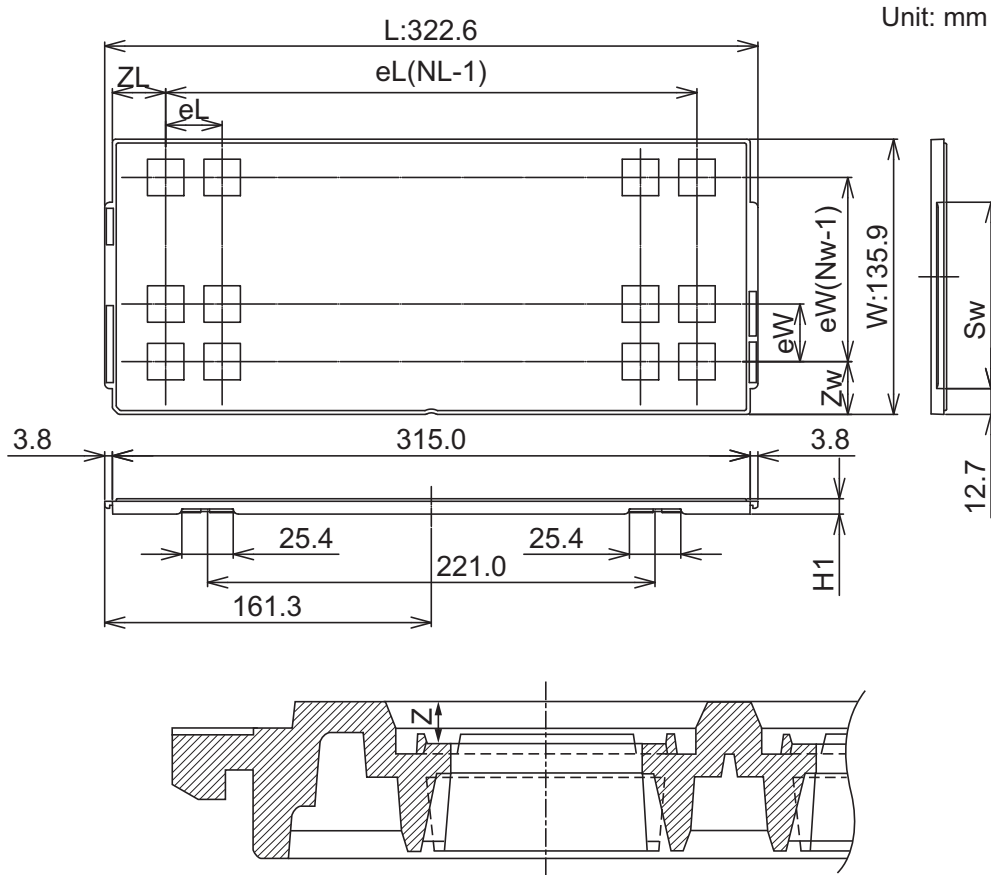


Detail F

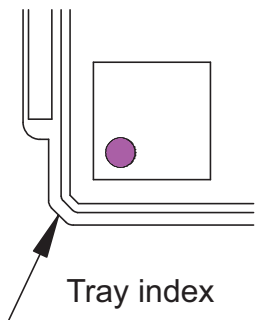
NOTE)  
 1. DIMENSIONS \*1\* AND \*2\* DO NOT INCLUDE MOLD FLASH.  
 2. DIMENSION \*3\* DOES NOT INCLUDE TRIM OFFSET.

Reference Symbol	Dimension in Millimeters		
	Min	Nom	Max
D	11.9	12.0	12.1
E	11.9	12.0	12.1
A <sub>2</sub>	—	1.4	—
H <sub>D</sub>	13.8	14.0	14.2
H <sub>E</sub>	13.8	14.0	14.2
A	—	—	1.7
A <sub>1</sub>	0	0.1	0.2
b <sub>p</sub>	0.15	0.20	0.25
b <sub>1</sub>	—	0.18	—
c	0.09	0.145	0.20
c <sub>1</sub>	—	0.125	—
β	0°	—	10°
Ⓢ	—	0.5	—
x	—	—	0.08
y	—	—	0.08
Z <sub>D</sub>	—	1.25	—
Z <sub>E</sub>	—	1.25	—
L	0.3	0.5	0.7
L <sub>1</sub>	—	1.0	—

**Packing Specification**  
**Tray Outline Drawing**  
**LQFP12x12x1.4**



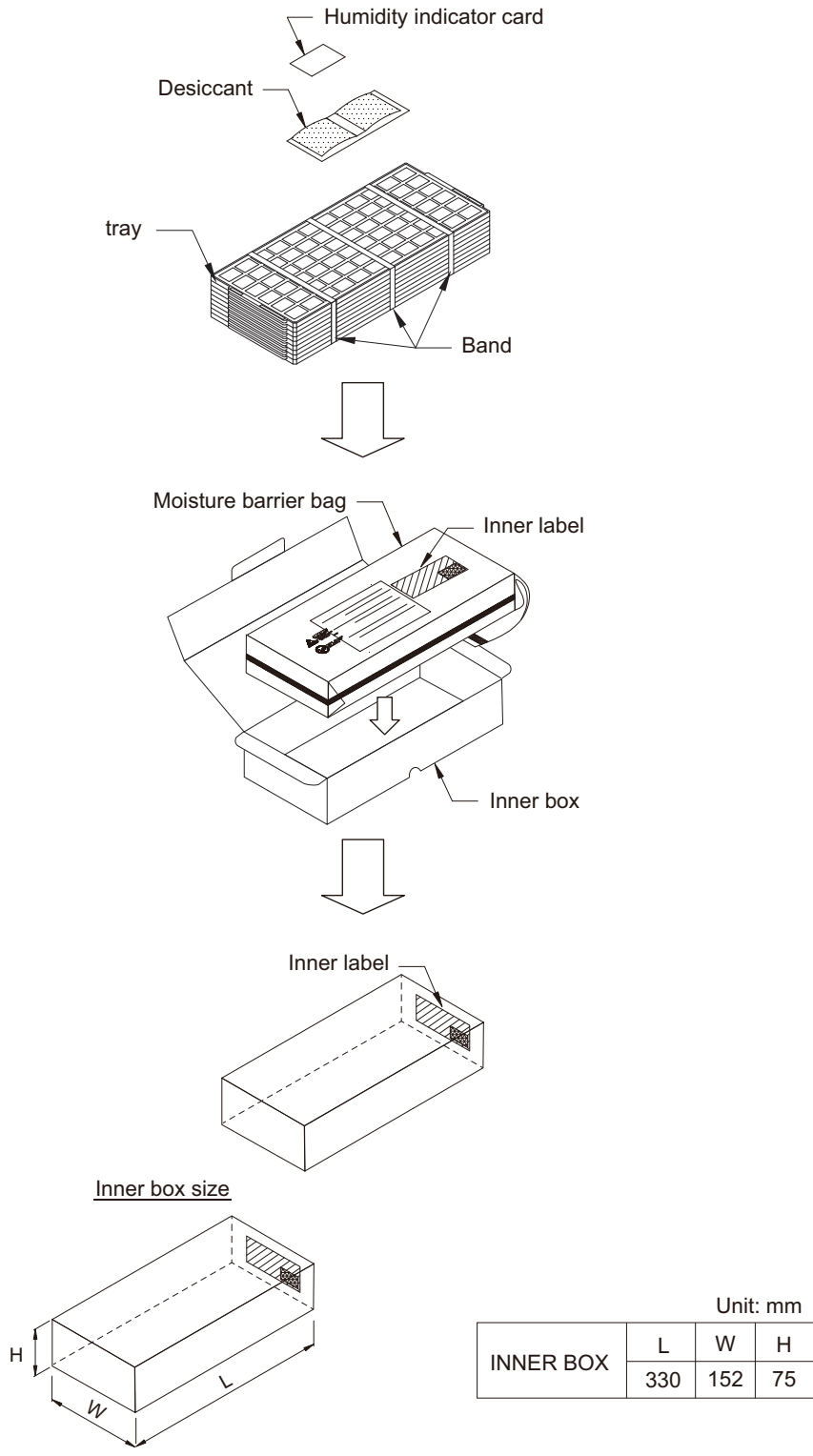
The pin1 is located in the hatching portion.



Tray Code		LQFP12x12x1.4
Position dimension of cells	Z	2.0
	Zw	13.95
	ZL	14.3
	eW	18.0
	eL	17.9
	Sw	92.1
Thickness (mm)	H1	7.62
Number of cells	Nw	7
	NL	17
Maximum storage No. IC/Tray		119
Maximum storage No. IC/Inner box		952
Material		Carbon PPE
Heat resistant temperature		135°C MAX
JEDEC or Custom		JEDEC
Surface resistance		Less than $1 \times 10^{11} \Omega/\square$

RDK-H-000716

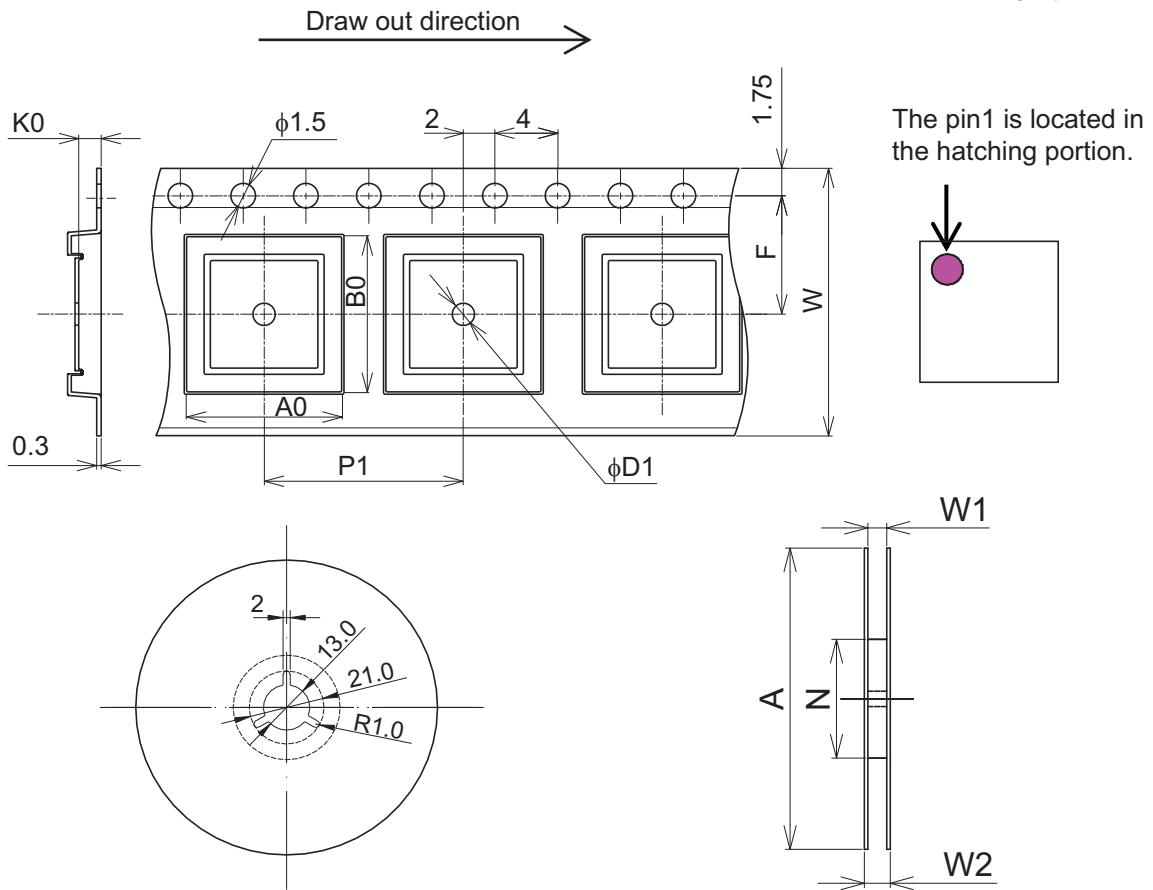
**Packing Specification**  
**Tray Packing**  
**(Tray dry pack)**



H-000531

**Packing Specification  
Tape & Reel Outline Drawing  
E2420Q12RA**

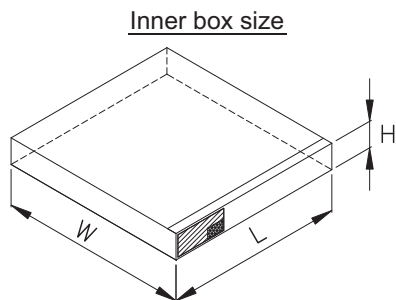
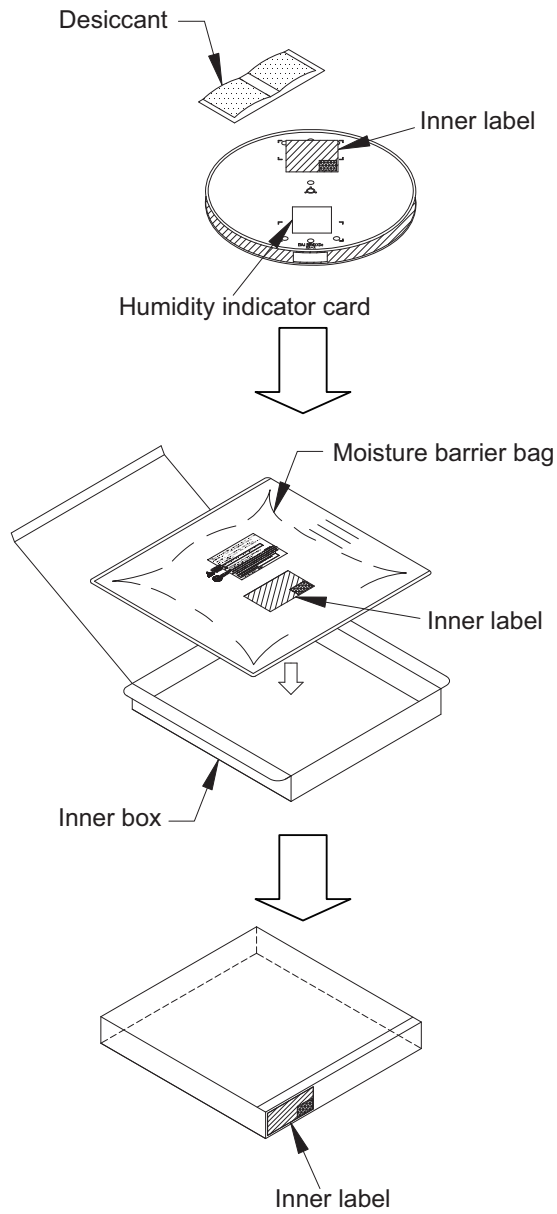
Unit: mm



Tape Code		E2420Q12RA
Tape Dimensions (mm)	W	24.0
	P1	20.0
	A0	14.5
	B0	14.5
	K0	1.4
	F	11.50
	D1	1.5
Reel Dimensions (mm)	A	330
	N	100
	W1	25.4
	W2	29.4
Maximum storage Pcs. IC/ Reel		1000
Material		Carbon PS
Surface resistance		Less than $1 \times 10^{11} \Omega/\square$

H-001571

**Packing Specification**  
**Tape & Reel Packing**  
**(Tape dry pack)**



Unit: mm

L	W	H
347	368	54

H-000248