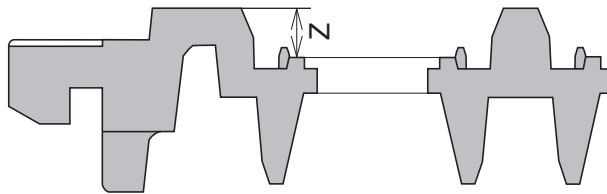
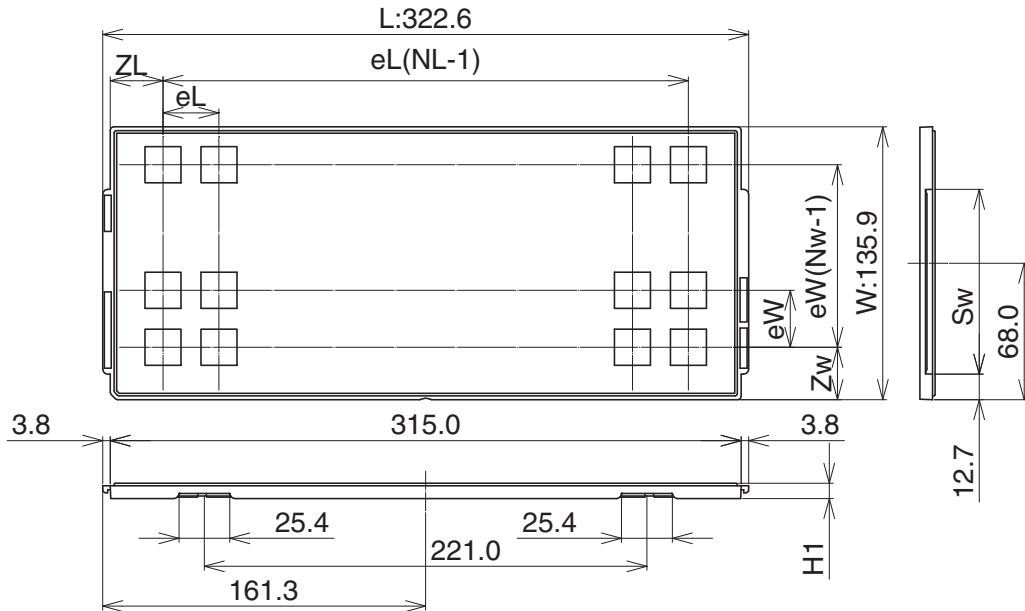


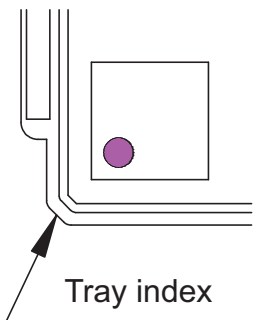


**Packing Specification  
Tray Outline Drawing  
LQFP7x7x1.4**

Unit: mm



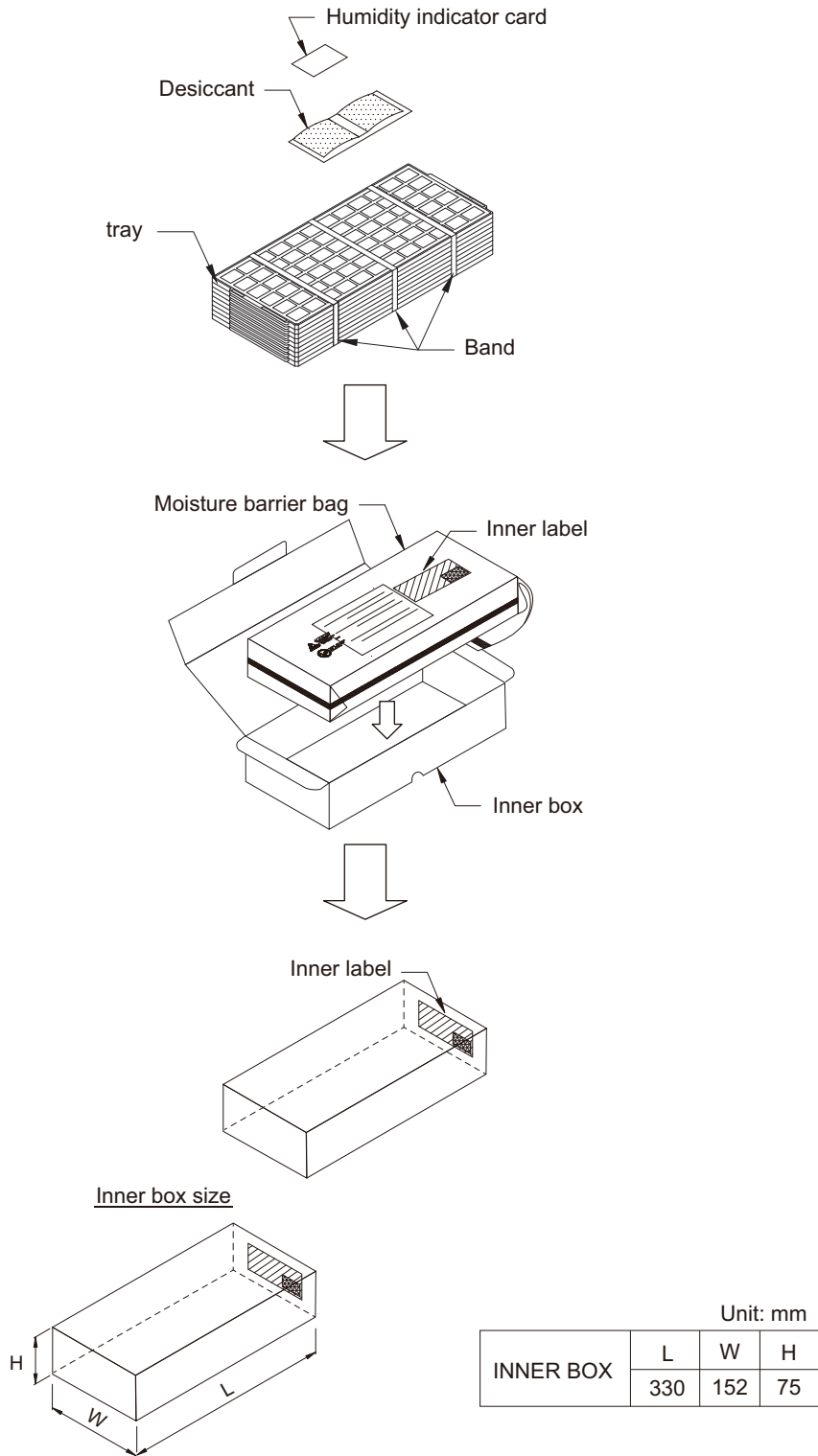
The pin1 is located in the hatching portion.



Tray Code		LQFP7x7x1.4
Position dimension of cells	Z	2.0
	Zw	11.25
	ZL	11.1
	eW	12.6
	eL	12.2
	Sw	92.1
Thickness (mm)	H1	7.62
Number of cells	Nw	10
	NL	25
Maximum storage pcs. IC/Tray		250
Maximum storage pcs. IC/Inner box		2000
Material		Carbon PPE
Heat resistant temperature		135°C MAX
JEDEC or Custom		JEDEC
Surface resistance		Less than $1 \times 10^{11} \Omega/\square$

RDK-H-000596

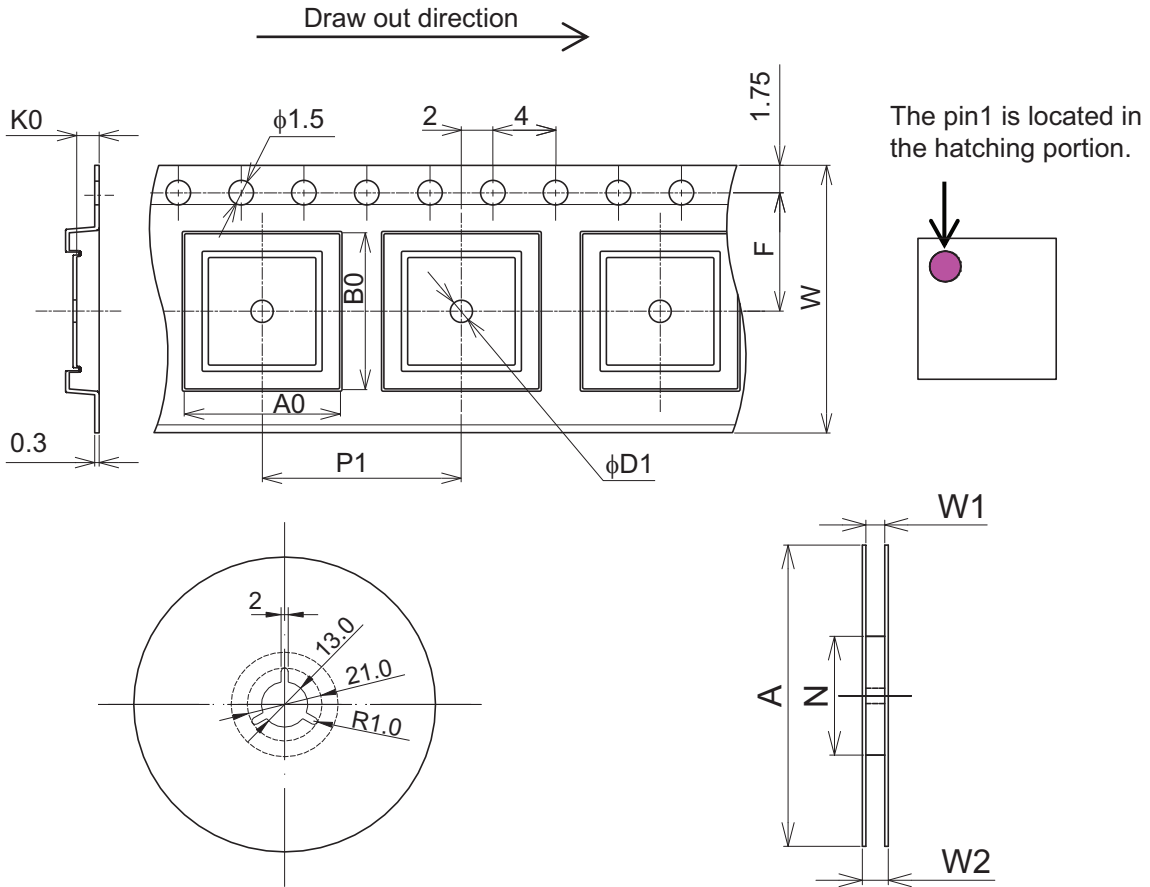
**Packing Specification**  
**Tray Packing**  
**(Tray dry pack)**



H-000531

**Packing Specification  
Tape & Reel Outline Drawing  
E1612Q07RA**

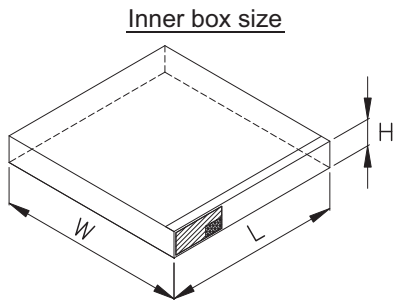
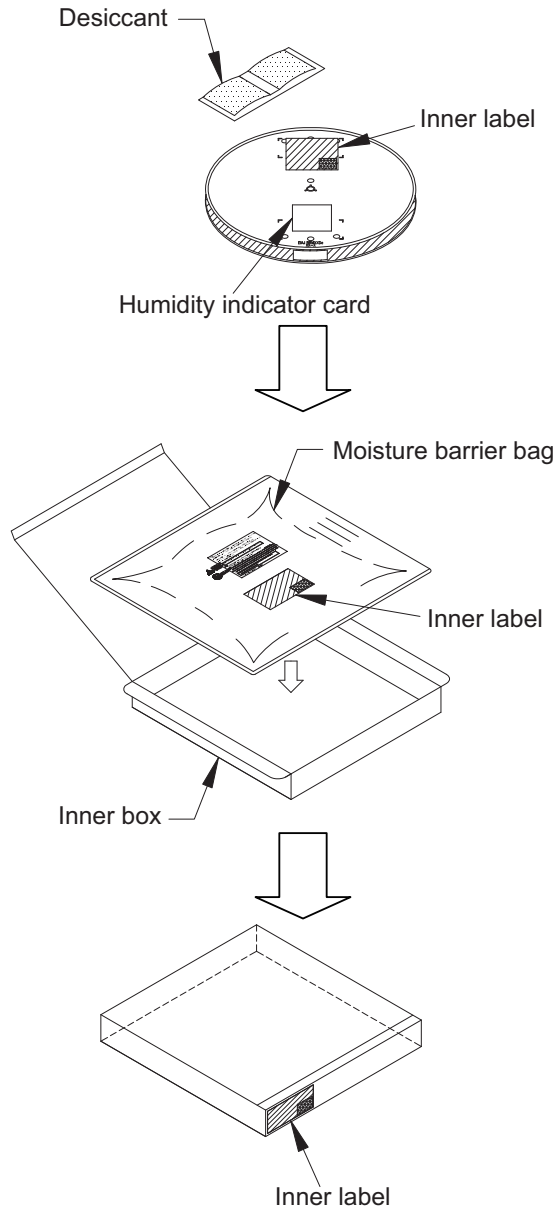
Unit: mm



Tape Code		E1612Q07RA
Tape Dimensions (mm)	W	16.0
	P1	12.0
	A0	9.5
	B0	9.5
	K0	1.40
	F	7.50
	D1	1.5
Reel Dimensions (mm)	A	330
	N	100
	W1	17.4
	W2	21.4
Maximum storage Pcs. IC/ Reel		2000
Material		Carbon PS
Surface resistance		Less than $1 \times 10^{11} \Omega/\square$

H-001563

**Packing Specification**  
**Tape & Reel Packing**  
**(Tape dry pack)**



Unit: mm

L	W	H
347	368	54

H-000248