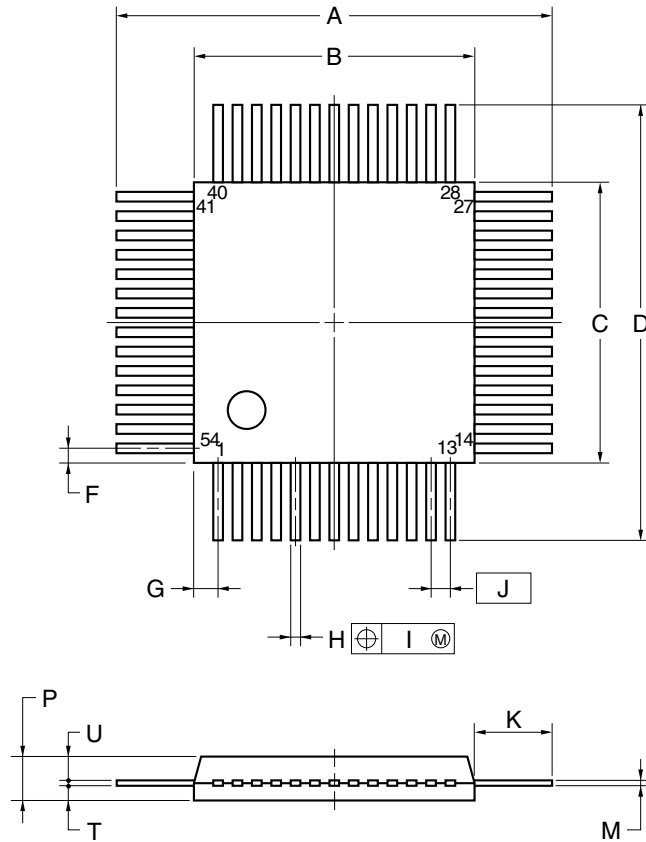


54-PIN PLASTIC QFP (STRAIGHT) (9.5x9.5)



NOTE

Each lead centerline is located within 0.15 mm of its true position (T.P.) at maximum material condition.

ITEM	MILLIMETERS
A	14.1±0.4
B	9.5±0.2
C	9.5±0.2
D	14.1±0.4
F	0.5
G	0.85
H	0.30±0.10
I	0.15
J	0.65 (T.P.)
K	2.3±0.2
M	0.15 ^{+0.10} _{0.05}
P	1.5±0.1
T	0.5
U	0.85

P54G-65-S-3