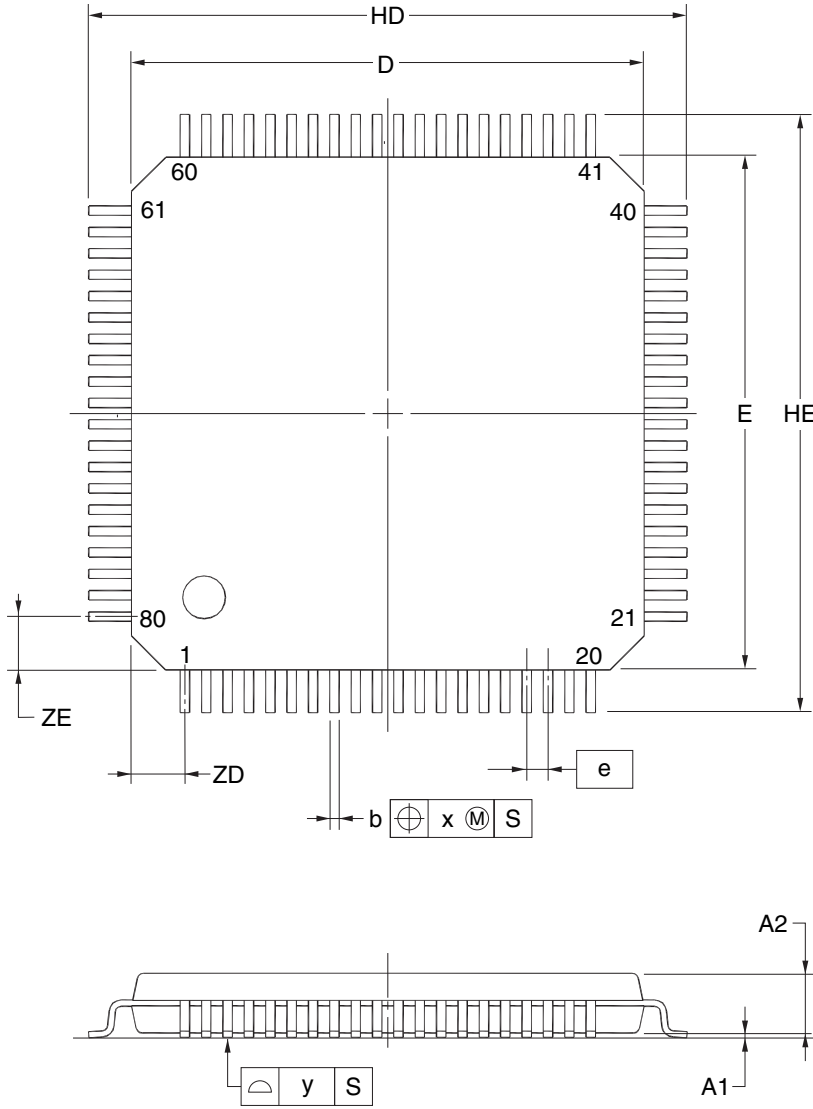
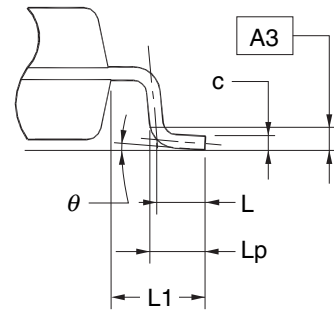


JEITA Package Code	RENESAS Code	Previous Code	MASS (TYP.) [g]
P-LFQFP80-12x12-0.50	PLQP0080KE-A	P80GK-50-8EU-2	0.53



detail of lead end



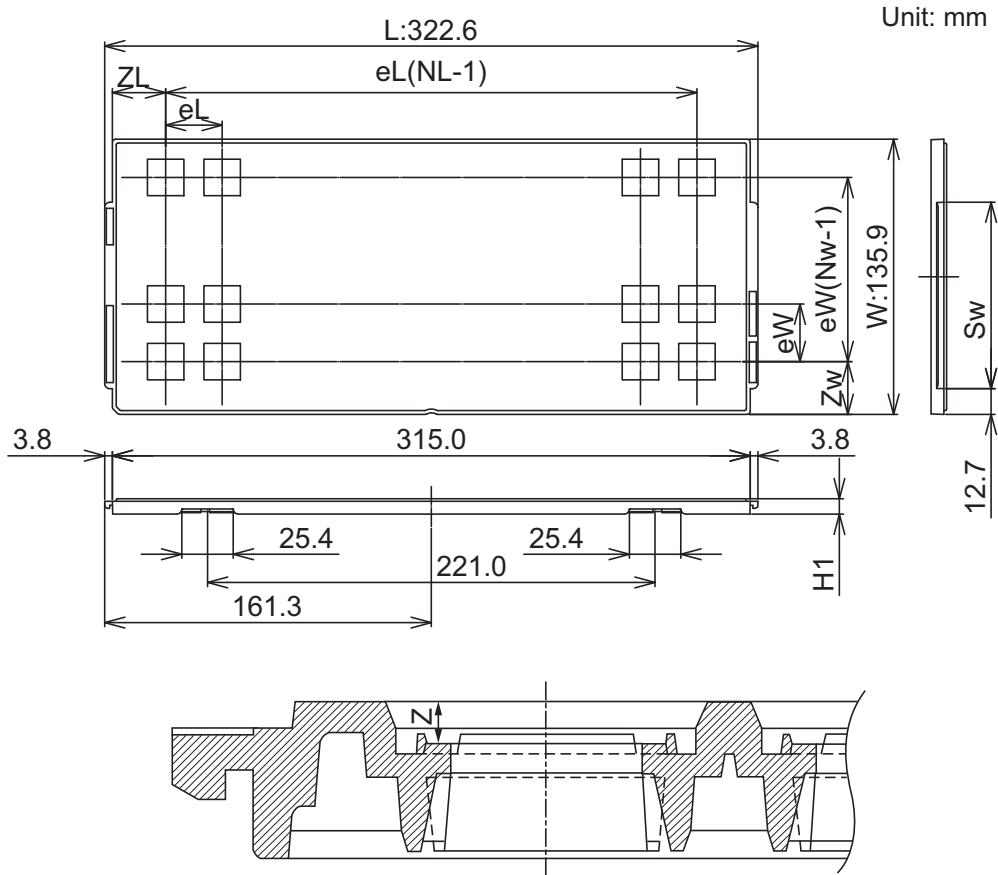
(UNIT:mm)

ITEM	DIMENSIONS
D	12.00±0.20
E	12.00±0.20
HD	14.00±0.20
HE	14.00±0.20
A	1.60 MAX.
A1	0.10±0.05
A2	1.40±0.05
A3	0.25
b	0.22±0.05
c	0.145 ^{+0.055} _{-0.045}
L	0.50
Lp	0.60±0.15
L1	1.00±0.20
θ	3° ^{+5°} _{-3°}
e	0.50
x	0.08
y	0.08
ZD	1.25
ZE	1.25

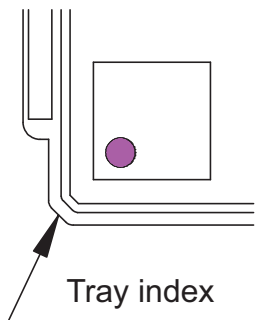
NOTE

Each lead centerline is located within 0.08 mm of its true position at maximum material condition.

Packing Specification
Tray Outline Drawing
LQFP12x12x1.4



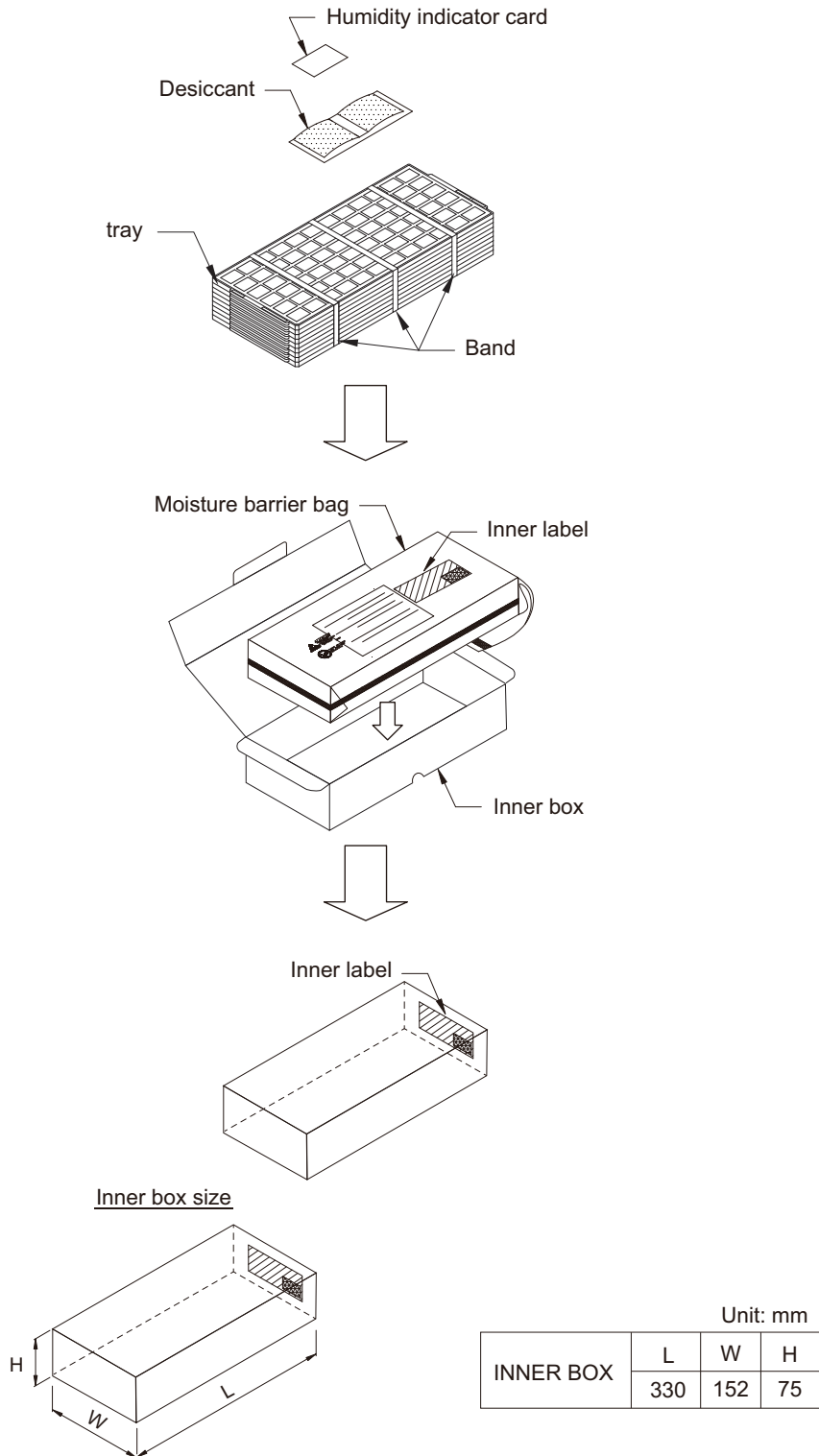
The pin1 is located in the hatching portion.



Tray Code		LQFP12x12x1.4
Position dimension of cells	Z	2.0
	Zw	13.95
	ZL	14.3
	eW	18.0
	eL	17.9
	Sw	92.1
Thickness (mm)	H1	7.62
Number of cells	Nw	7
	NL	17
Maximum storage No. IC/Tray		119
Maximum storage No. IC/Inner box		952
Material		Carbon PPE
Heat resistant temperature		135°C MAX
JEDEC or Custom		JEDEC
Surface resistance		Less than $1 \times 10^{11} \Omega/\square$

RDK-H-000716

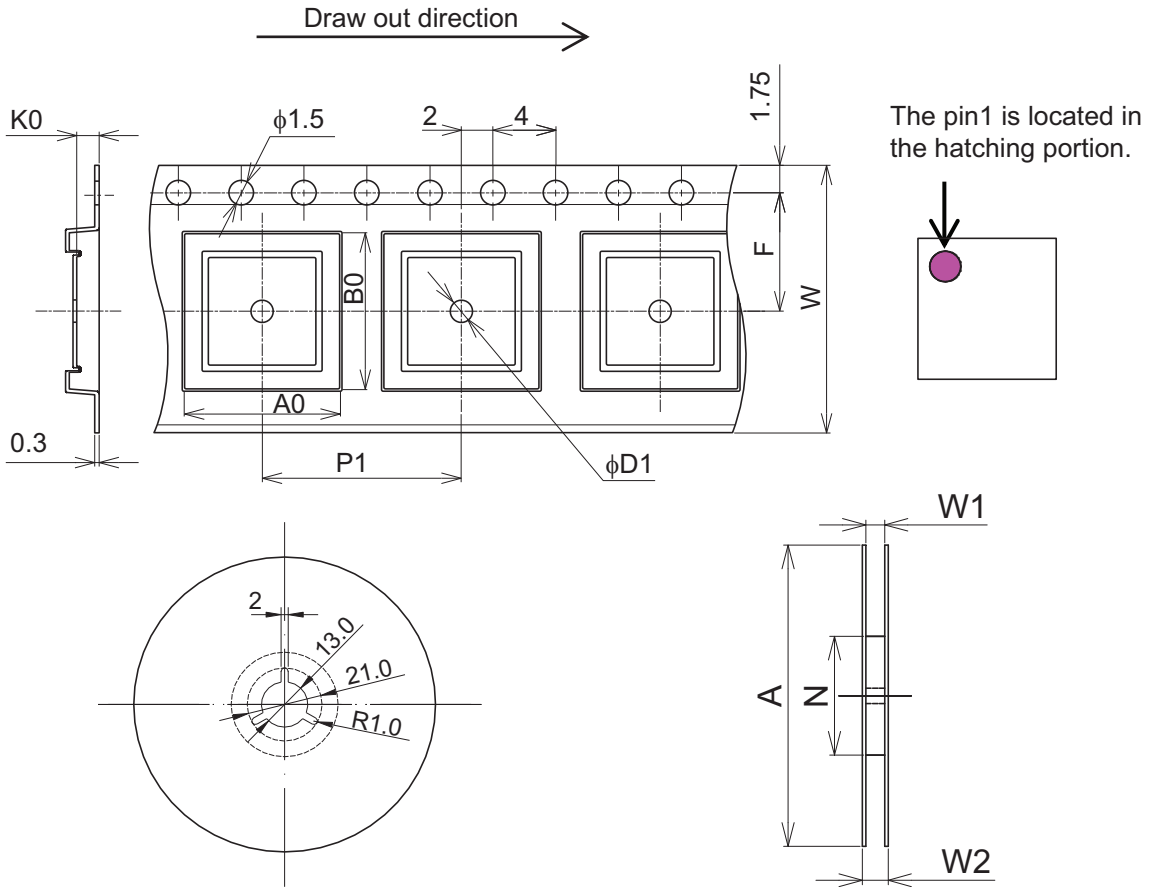
Packing Specification
Tray Packing
(Tray dry pack)



H-000531

**Packing Specification
Tape & Reel Outline Drawing
E2420Q12RA**

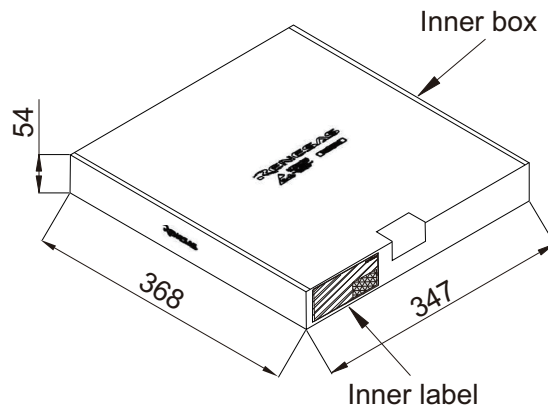
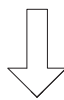
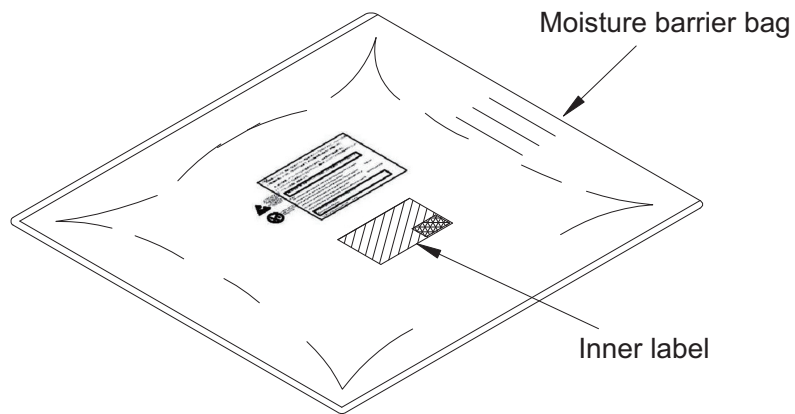
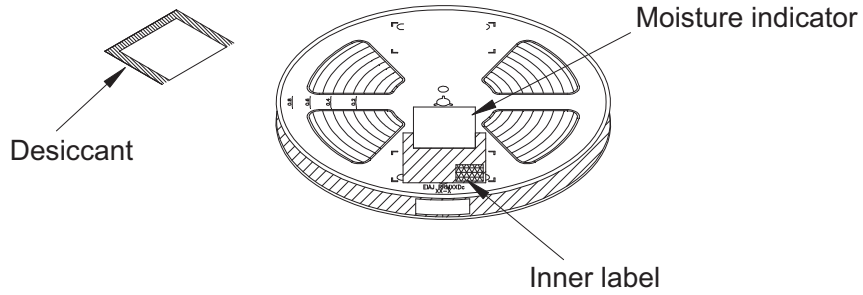
Unit: mm



Tape Code		E2420Q12RA
Tape Dimensions (mm)	W	24.0
	P1	20.0
	A0	14.5
	B0	14.5
	K0	1.4
	F	11.50
	D1	1.5
Reel Dimensions (mm)	A	330
	N	100
	W1	25.4
	W2	29.4
Maximum storage Pcs. IC/ Reel		1000
Material		Carbon PS
Surface resistance		Less than $1 \times 10^{11} \Omega/\square$

H-001571

**Packing Specification
Tape & Reel Packing
(Tape dry pack)**



RDK-H-000152

© 2017 Renesas Electronics Corporation. All rights reserved.