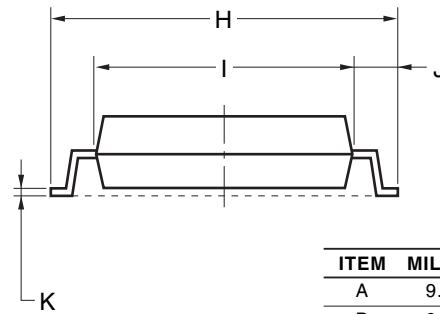
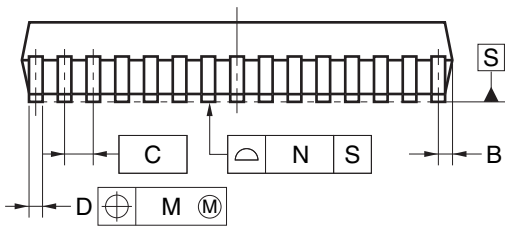
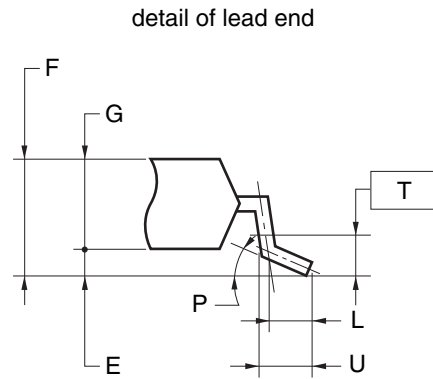
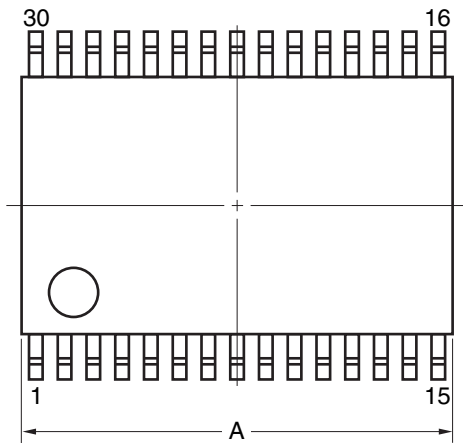


JEITA Package Code	RENESAS Code	Previous Code	MASS (TYP.) [g]
P-LSSOP30-0300-0.65	PLSP0030JB-B	S30MC-65-5A4-3	0.18



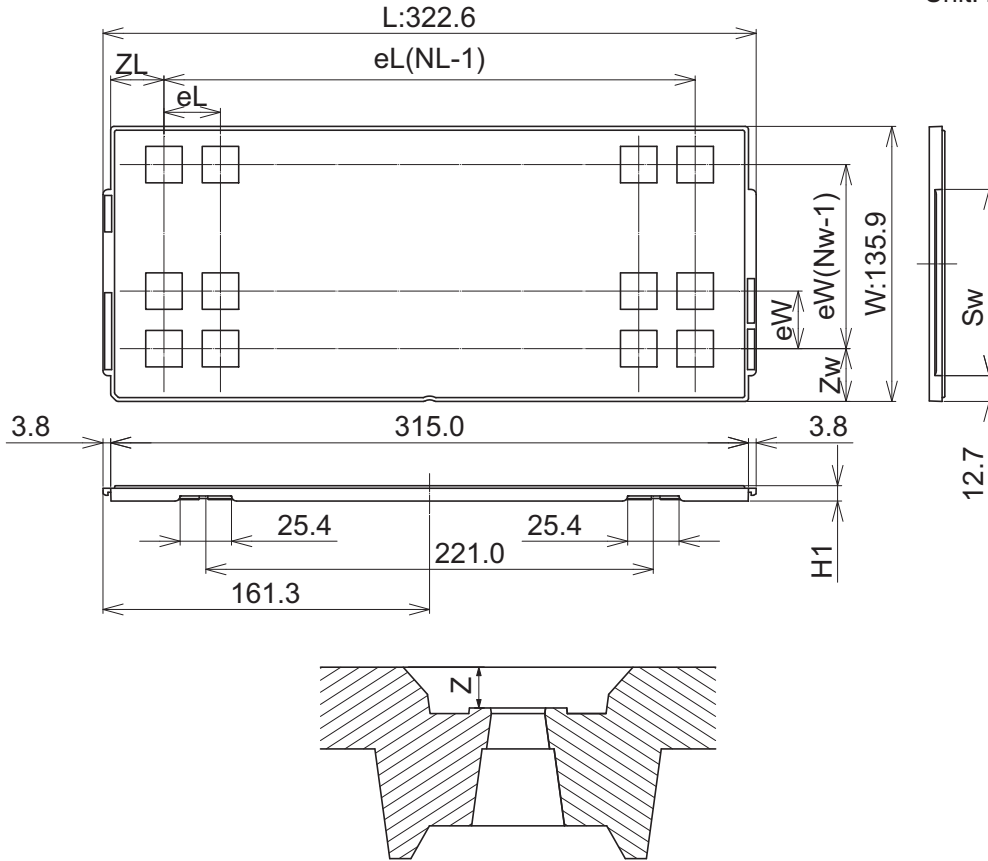
NOTE

Each lead centerline is located within 0.13 mm of its true position (T.P.) at maximum material condition.

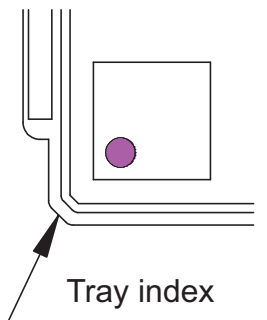
ITEM	MILLIMETERS
A	9.85±0.15
B	0.45 MAX.
C	0.65 (T.P.)
D	0.24 ^{+0.08} _{-0.07}
E	0.1±0.05
F	1.3±0.1
G	1.2
H	8.1±0.2
I	6.1±0.2
J	1.0±0.2
K	0.17±0.03
L	0.5
M	0.13
N	0.10
P	3° ^{+5°} _{-3°}
T	0.25
U	0.6±0.15

**Packing Specification
Tray Outline Drawing
SSOP300MIL10**

Unit: mm



The pin1 is located in the hatching portion.



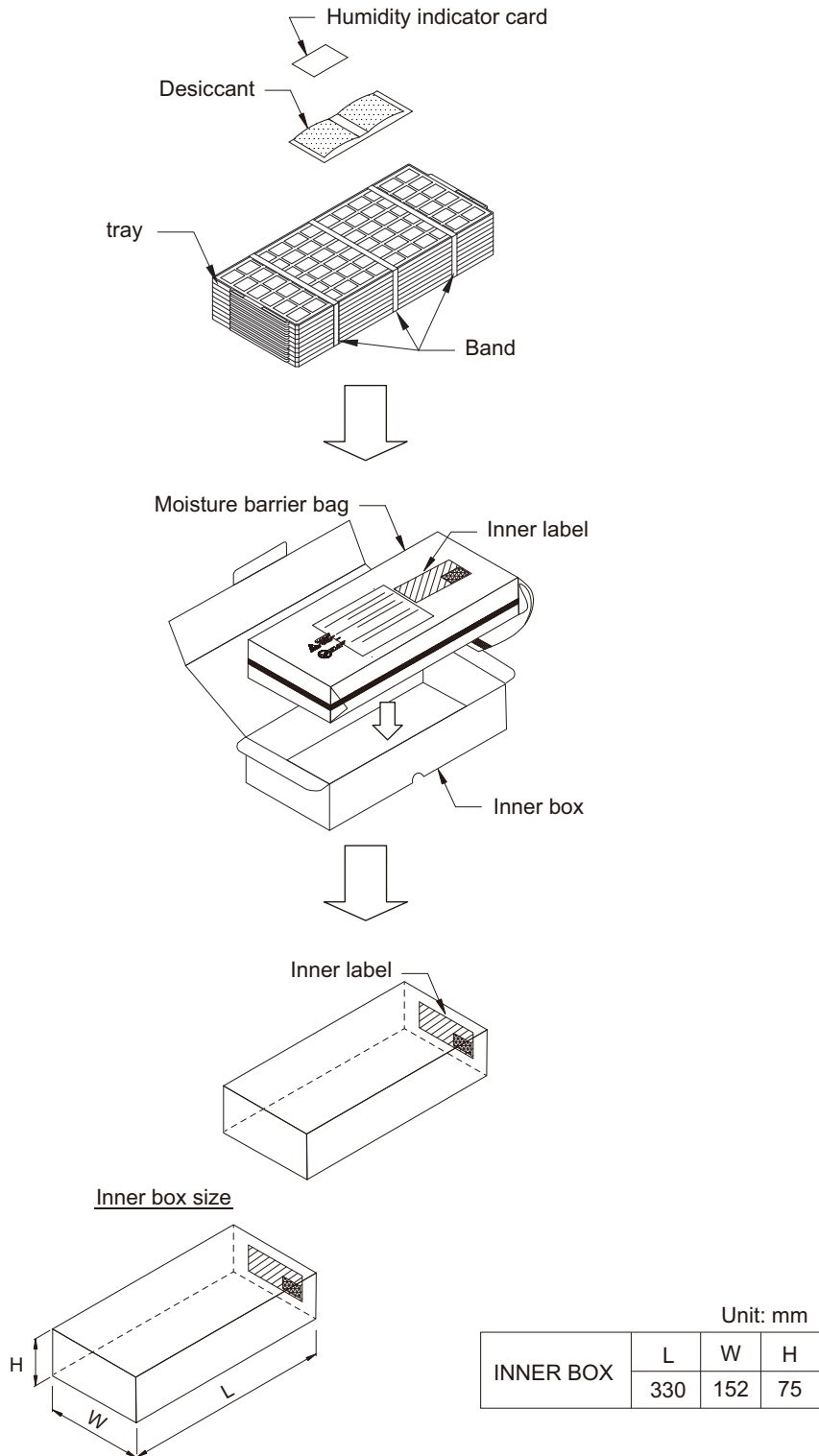
Tray Code		SSOP300MIL10
Position dimension of cells	Z	2.35
	Zw	10.58
	ZL	10.00
	eW	12.75
	eL	14.75
	Sw	92.1
Thickness (mm)	H1	7.62
Number of cells	Nw	10
	NL	21
Maximum storage pcs. IC/Tray		210
Maximum storage pcs. IC/Inner box		1680
Material		Carbon PPE
Heat resistant temperature		135°C MAX
JEDEC or Custom		JEDEC
Surface resistance		Less than $1 \times 10^{11} \Omega/\square$

RDK-H-000811

Packing Specification

Tray Packing

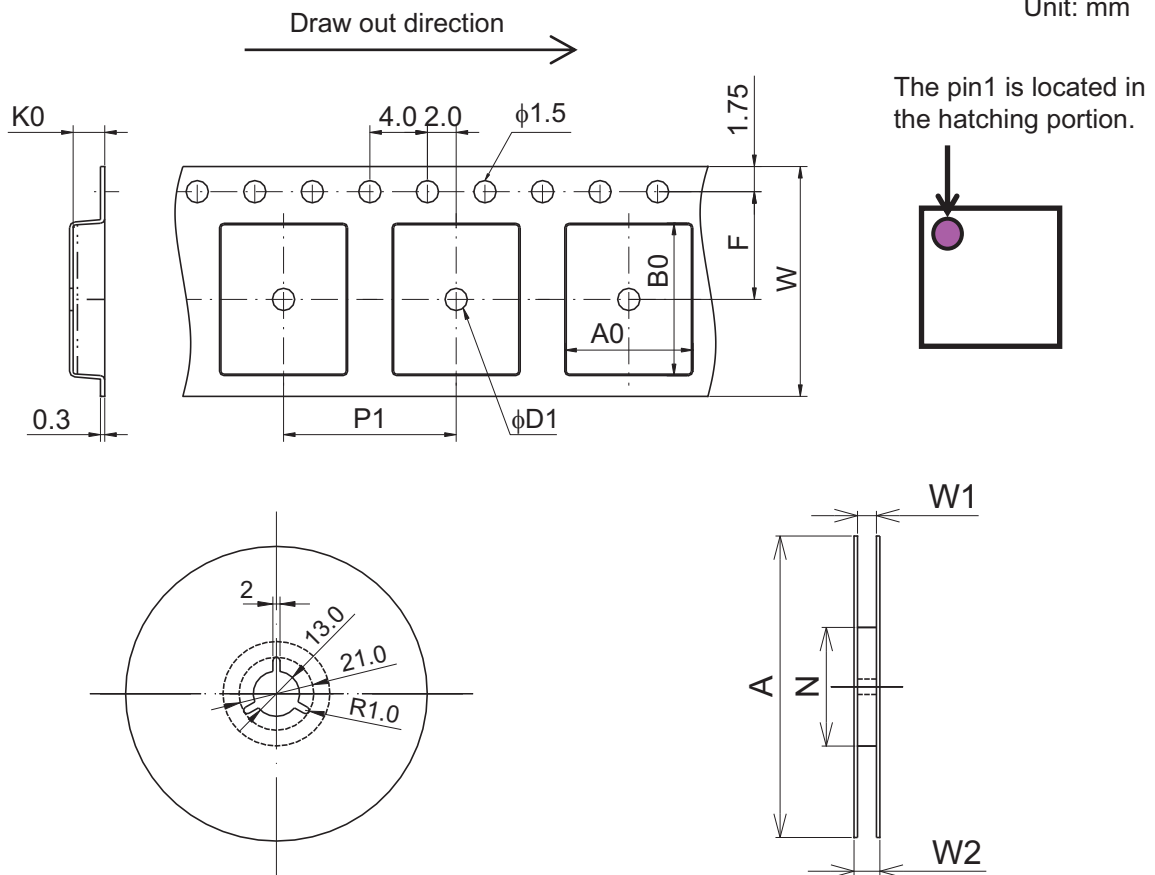
(Tray dry pack)



H-000531

Packing Specification
Tape & Reel Outline Drawing
E16 * 12-0GCA

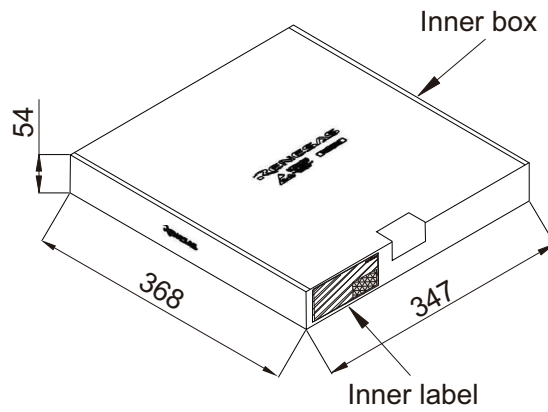
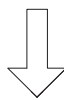
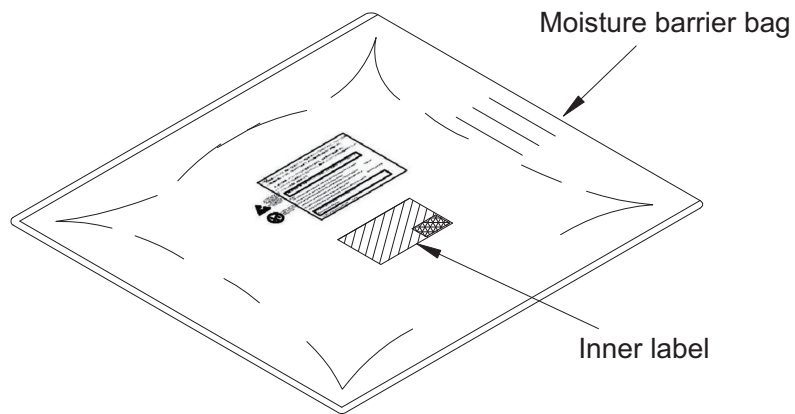
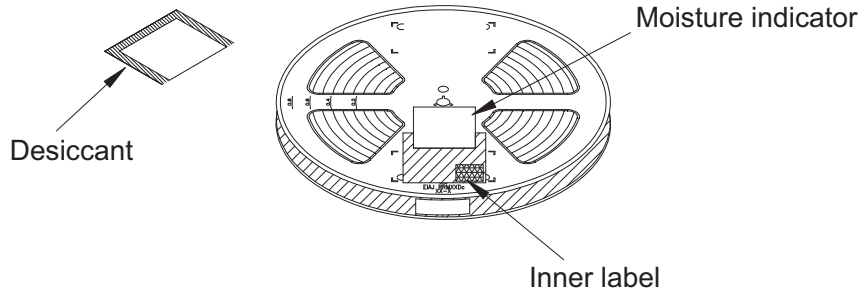
Unit: mm



Tape Code		E16 * 12-0GCA
Tape Dimensions (mm)	W	16
	P1	12
	A0	8.9
	B0	10.6
	K0	2.2
	F	7.5
	D1	1.5
Reel Dimensions (mm)	A	330
	N	100
	W1	17.5
	W2	21.5
Maximum storage No. IC/ Reel		2500
Material		Carbon PS
Surface resistance		Less than $1 \times 10^{11} \Omega/\square$

RDK-H-001667

**Packing Specification
Tape & Reel Packing
(Tape dry pack)**



RDK-H-000152

© 2017 Renesas Electronics Corporation. All rights reserved.