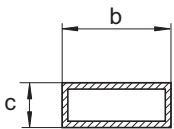
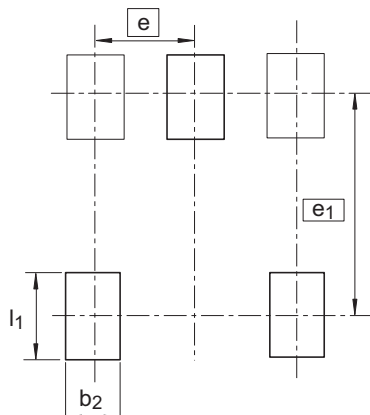
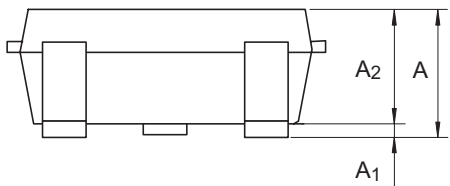
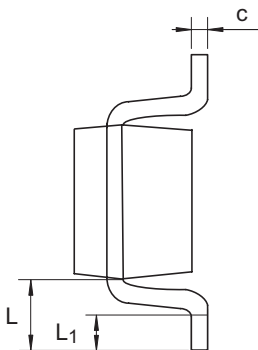
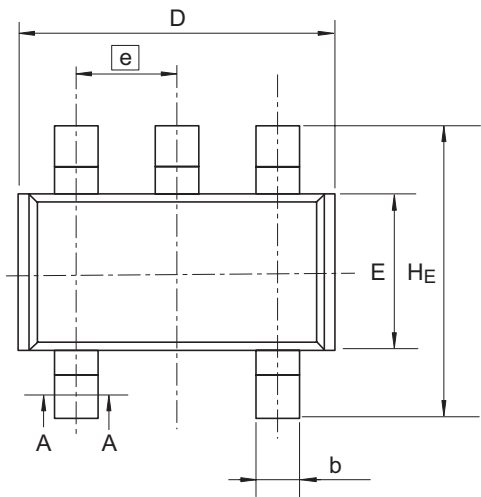


| | | | | |
|--------------|--------------------|--------------|------------------|------------|
| Package Name | JEITA Package Code | RENESAS Code | Previous Code | MASS[Typ.] |
| MPAK-5 | SC-74A | PLSP0005ZC-A | MPAK-5 / MPAK-5V | 0.013g |



A — A Section

Pattern of terminal position areas

| Reference Symbol | Dimension in Millimeters | | |
|------------------|--------------------------|------|------|
| | Min | Nom | Max |
| A | 1.0 | - | 1.4 |
| A ₁ | 0 | - | 0.1 |
| A ₂ | 1.0 | 1.1 | 1.3 |
| b | 0.3 | 0.4 | 0.5 |
| c | 0.11 | 0.16 | 0.26 |
| D | 2.7 | 2.9 | 3.1 |
| E | 1.5 | 1.6 | 1.8 |
| e | - | 0.95 | - |
| HE | 2.5 | 2.8 | 3.0 |
| L | - | 0.6 | - |
| L ₁ | 0.15 | - | - |
| b ₂ | - | - | 0.55 |
| e ₁ | - | 2.15 | - |
| l ₁ | - | - | 0.85 |