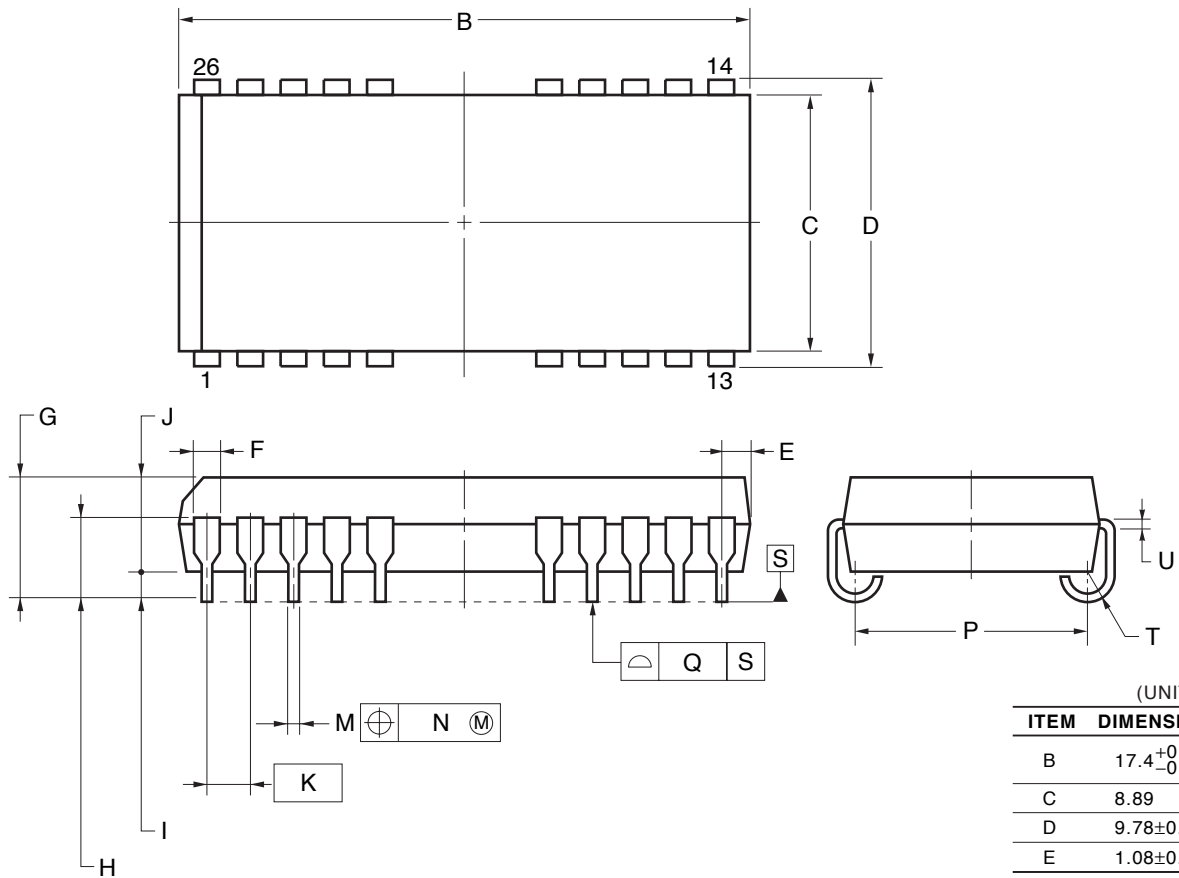


## 26-PIN PLASTIC SOJ (8.89mm(350))



### NOTE

Each lead centerline is located within 0.12 mm of its true position (T.P.) at maximum material condition.

(UNIT:mm)

ITEM	DIMENSIONS
B	17.4 <sup>+0.2</sup> <sub>-0.35</sub>
C	8.89
D	9.78±0.2
E	1.08±0.15
F	0.6
G	3.6±0.2
H	2.15±0.2
I	0.8 MIN.
J	2.7
K	1.27(T.P.)
M	0.40±0.10
N	0.12
P	8.06±0.20
Q	0.15
T	R 0.85
U	0.20 <sup>+0.10</sup> <sub>-0.05</sub>

P26LB-350A1-5