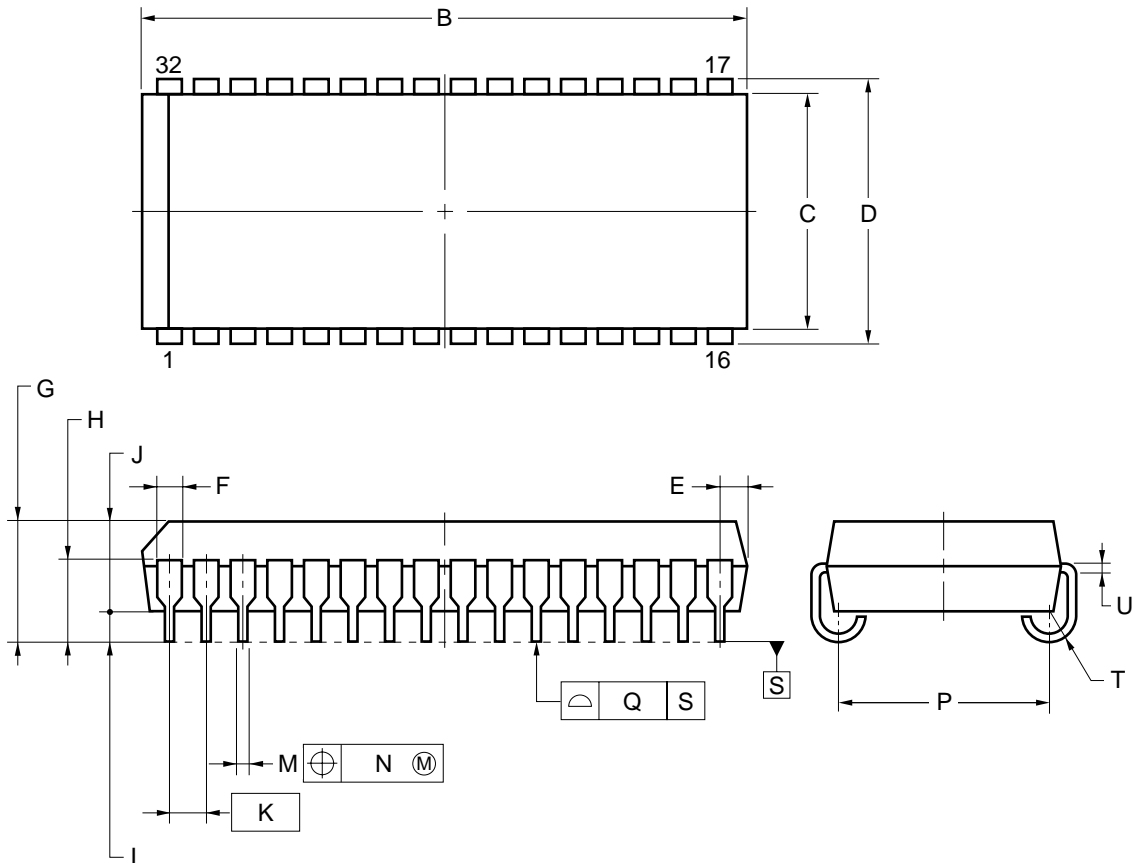


32-PIN PLASTIC SOJ (7.62mm(300))



NOTE
 Each lead centerline is located within 0.12 mm of its true position (T.P.) at maximum material condition.

ITEM	MILLIMETERS
B	21.21 ^{+0.2} _{-0.35}
C	7.57
D	8.47±0.2
E	1.08±0.15
F	0.74
G	3.5±0.2
H	2.4±0.2
I	0.8 MIN.
J	2.55
K	1.27(T.P.)
M	0.40±0.10
N	0.12
P	6.73±0.20
Q	0.10
T	R0.85
U	0.20 ^{+0.10} _{-0.05}

P32LA-300A-2