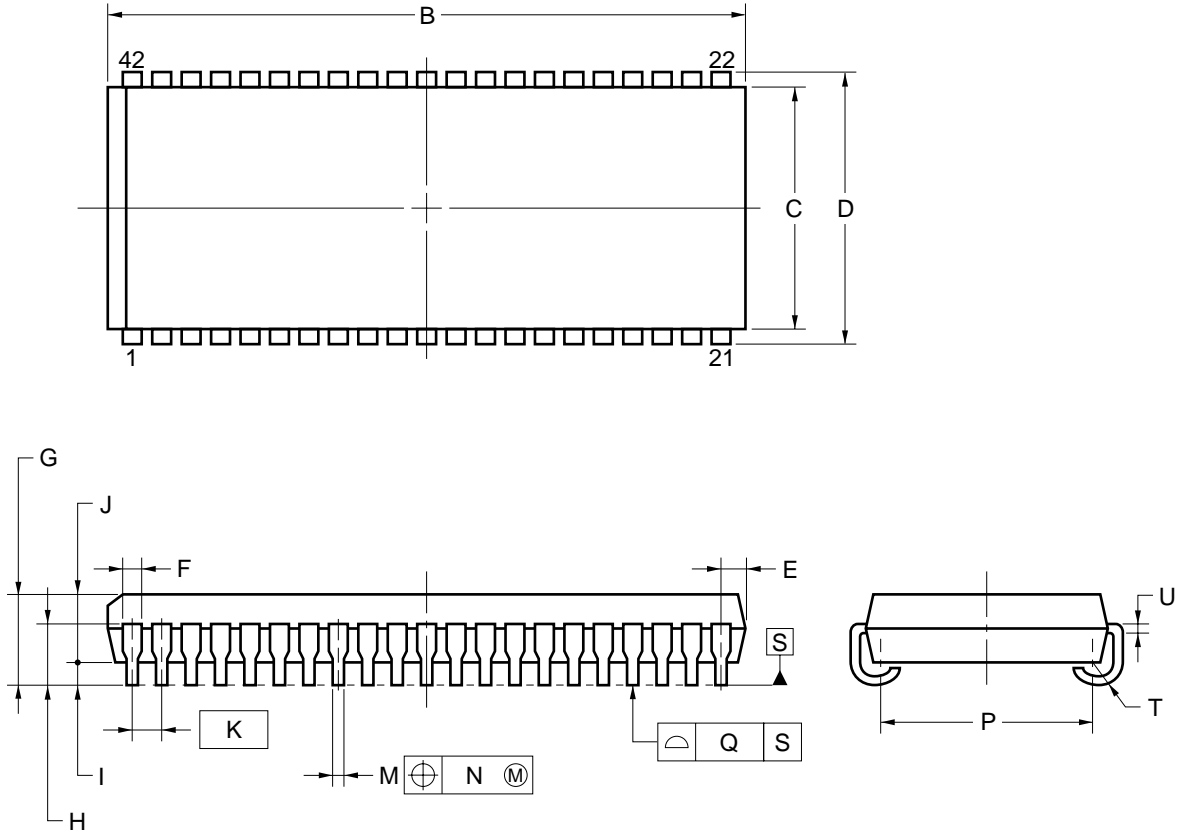


## 42-PIN PLASTIC SOJ (10.16mm(400))



### NOTE

Each lead centerline is located within 0.12 mm of its true position (T.P.) at maximum material condition.

| ITEM | MILLIMETERS             |
|------|-------------------------|
| B    | $27.56^{+0.20}_{-0.35}$ |
| C    | $10.16 \pm 0.1$         |
| D    | $11.18 \pm 0.2$         |
| E    | $1.08 \pm 0.15$         |
| F    | 0.74                    |
| G    | $3.5 \pm 0.2$           |
| H    | $2.545 \pm 0.2$         |
| I    | 0.8 MIN.                |
| J    | $2.6 \pm 0.1$           |
| K    | 1.27 (T.P.)             |
| M    | $0.42^{+0.08}_{-0.07}$  |
| N    | 0.12                    |
| P    | $9.4 \pm 0.20$          |
| Q    | 0.10                    |
| T    | R0.85                   |
| U    | $0.22^{+0.08}_{-0.07}$  |

**P42LE-400A-2**