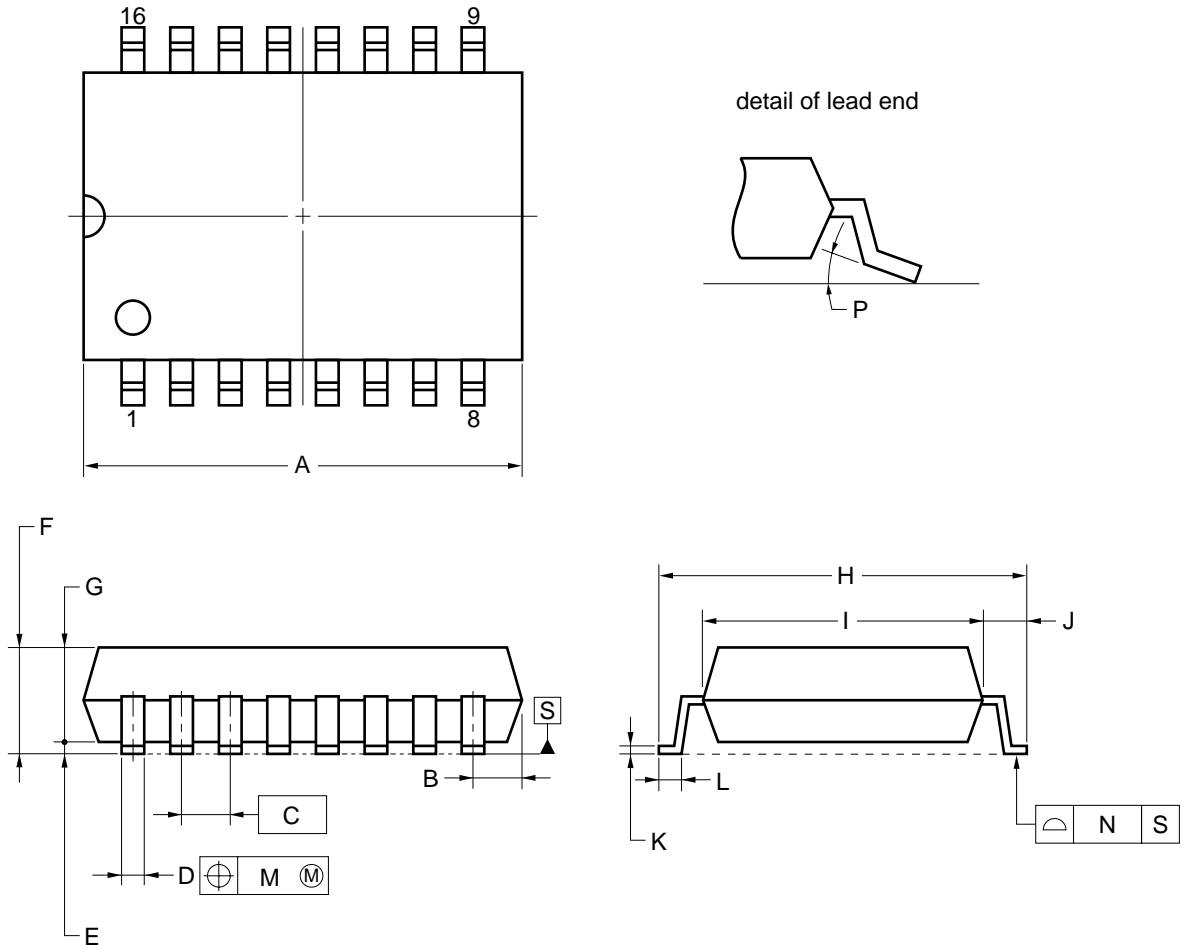


# 16-PIN PLASTIC SOP (9.53 mm (375))



**NOTE**

Each lead centerline is located within 0.12 mm of its true position (T.P.) at maximum material condition.

ITEM	MILLIMETERS
A	11.73 MAX.
B	1.42 MAX.
C	1.27 (T.P.)
D	0.40±0.10
E	0.1±0.1
F	2.9 MAX.
G	2.50
H	10.5±0.3
I	7.2
J	1.6
K	0.15 <sup>+0.10</sup> <sub>-0.05</sub>
L	0.8±0.2
M	0.12
N	0.10
P	5°±5°