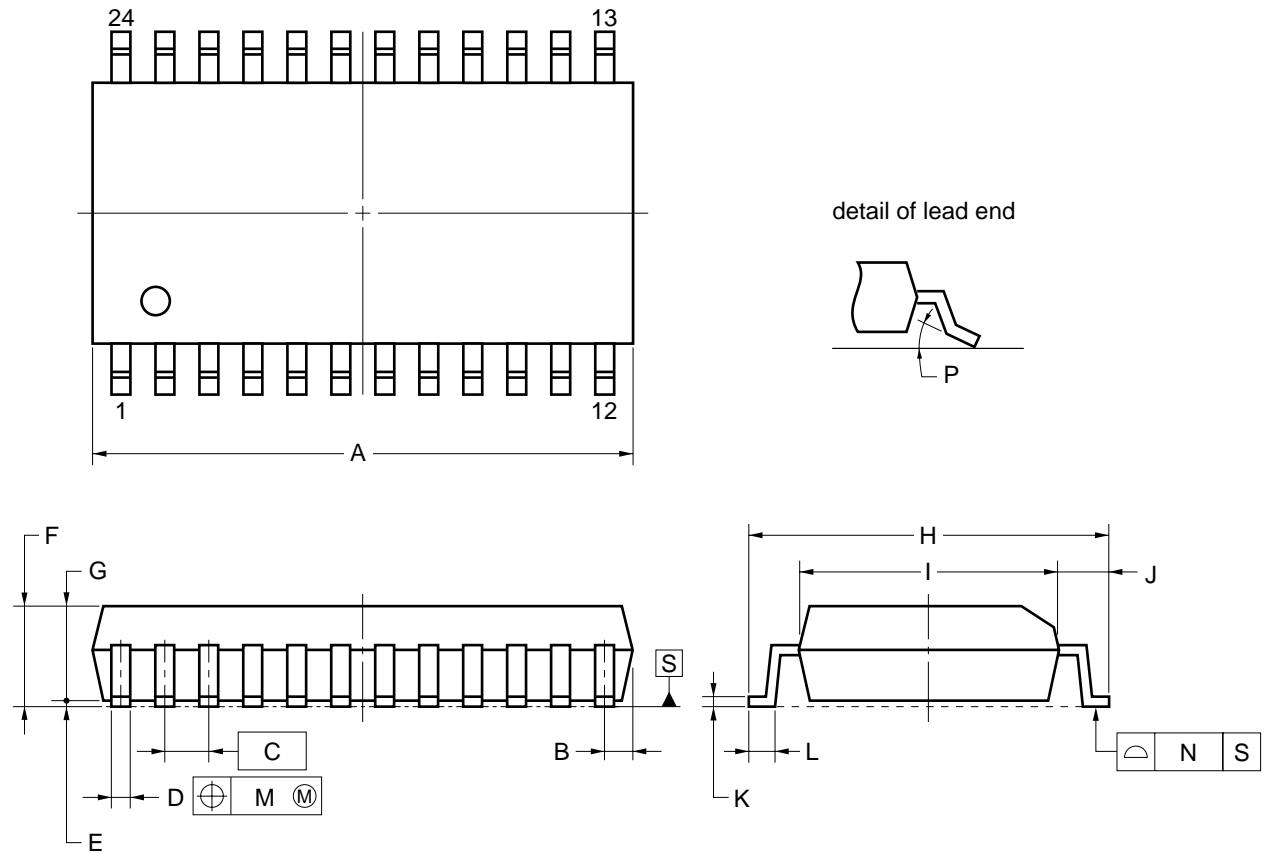


24-PIN PLASTIC SOP (9.53 mm (375))



NOTE

Each lead centerline is located within 0.12 mm of its true position (T.P.) at maximum material condition.

ITEM	MILLIMETERS
A	15.4±0.14
B	0.78 MAX.
C	1.27 (T.P.)
D	0.42 ^{+0.08} _{-0.07}
E	0.125±0.075
F	2.77 MAX.
G	2.47±0.1
H	10.3±0.3
I	7.2
J	1.6
K	0.17 ^{+0.08} _{-0.07}
L	0.8±0.2
M	0.12
N	0.15
P	3° ^{+7°} _{-3°}

P24GM-50-375B-6