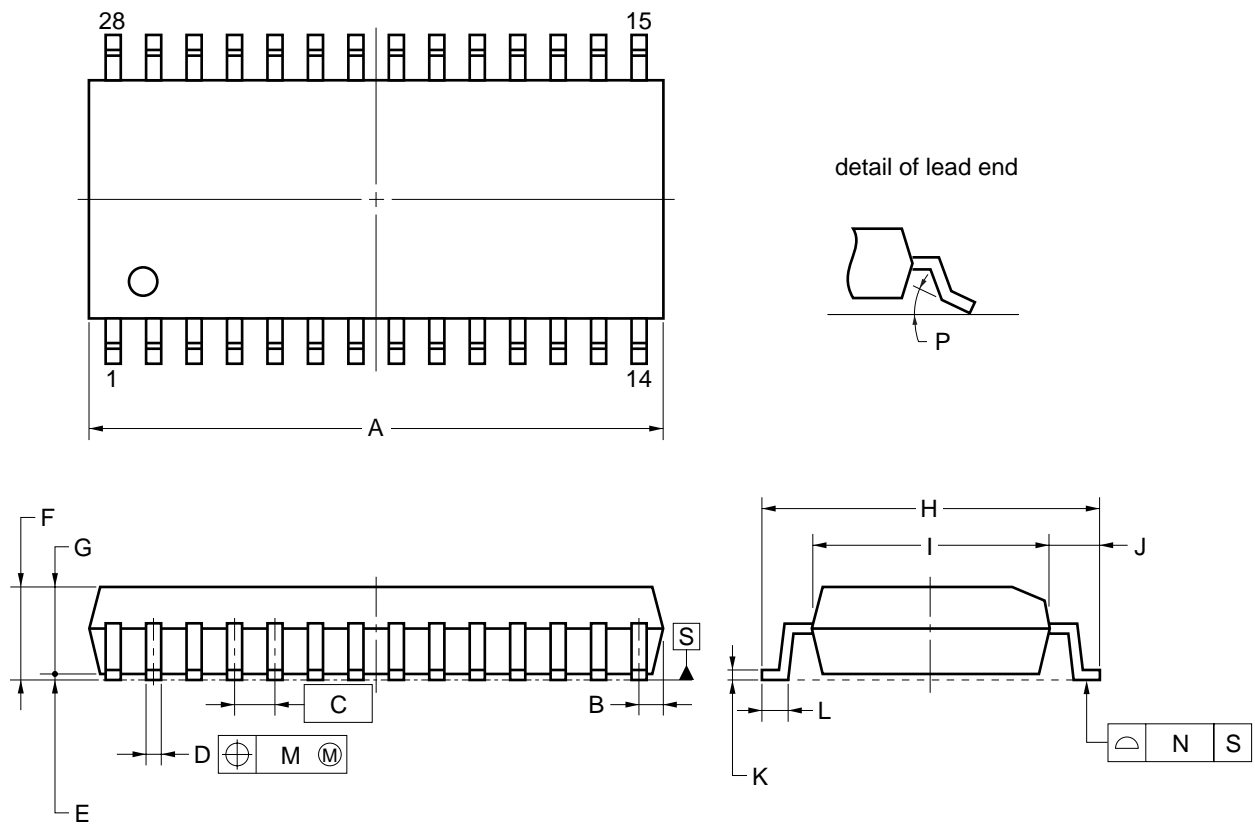


## 28-PIN PLASTIC SOP (9.53 mm (375))



### NOTE

Each lead centerline is located within 0.12 mm of its true position (T.P.) at maximum material condition.

ITEM	MILLIMETERS
A	17.9±0.17
B	0.78 MAX.
C	1.27 (T.P.)
D	0.42 <sup>+0.08</sup> <sub>-0.07</sub>
E	0.1±0.1
F	2.6±0.2
G	2.50
H	10.3±0.3
I	7.2±0.2
J	1.6±0.2
K	0.17 <sup>+0.08</sup> <sub>-0.07</sub>
L	0.8±0.2
M	0.12
N	0.15
P	3° <sup>+7°</sup> <sub>-3°</sub>

P28GM-50-375B-5