

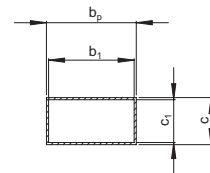
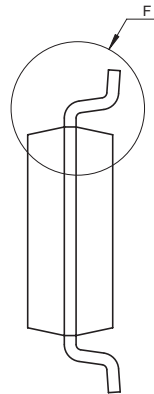
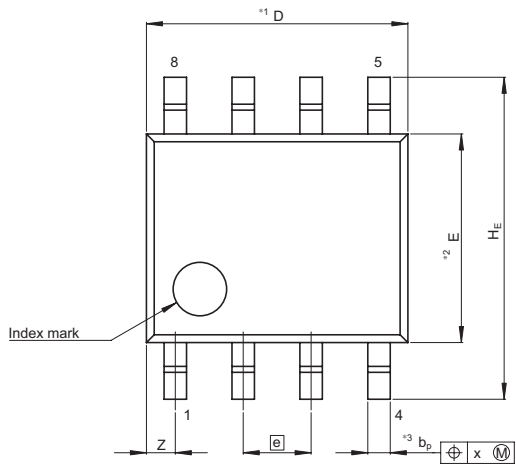
JEITA Package Code  
P-SOP8-3.9x4.89-1.27

RENESAS Code  
PRSP0008DF-A

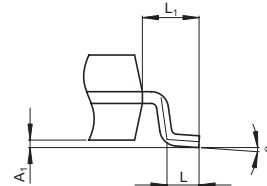
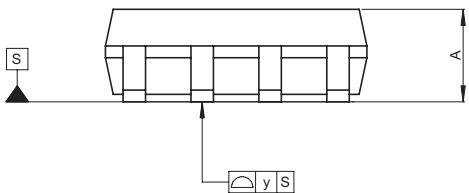
Previous Code  
FP-8DB

MASS[Typ.]  
0.08g

NOTE)  
1. DIMENSIONS\*1 (Nom)\*AND\*2\*  
DO NOT INCLUDE MOLD FLASH.  
2. DIMENSION\*3\*DOES NOT  
INCLUDE TRIM OFFSET.



Terminal cross section



Detail F

Reference Symbol	Dimension in Millimeters		
	Min	Nom	Max
D	—	4.89	5.15
E	—	3.90	—
A <sub>2</sub>	—	—	—
A <sub>1</sub>	0.102	0.14	0.254
A	—	—	1.73
b <sub>p</sub>	0.356	0.42	0.483
b <sub>1</sub>	—	0.40	—
c	0.203	0.22	0.254
c <sub>1</sub>	—	0.20	—
$\theta$	0°	—	8°
H <sub>E</sub>	5.84	6.02	6.20
e	—	1.27	—
x	—	—	0.25
y	—	—	0.10
Z	—	—	0.69
L	0.406	0.60	0.889
L <sub>1</sub>	—	1.06	—