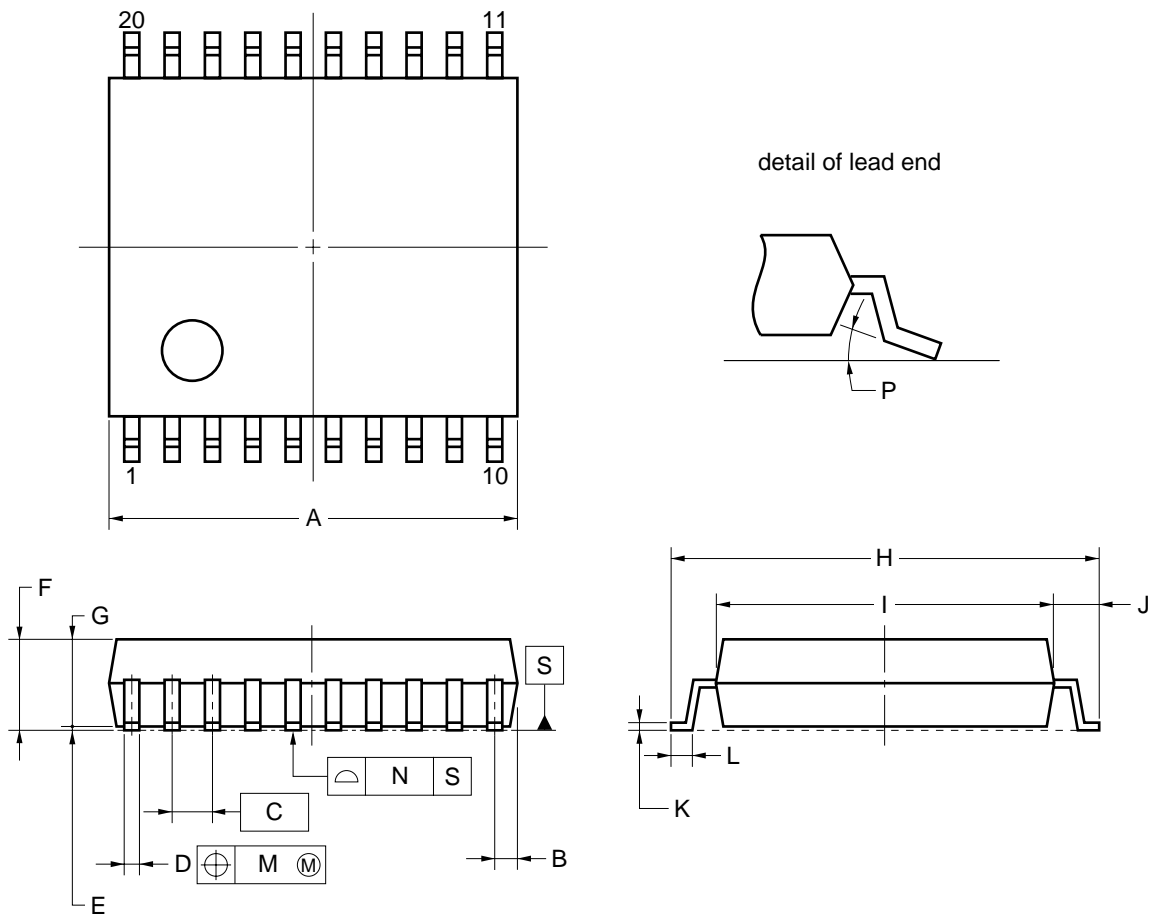


20-PIN PLASTIC SSOP (7.62 mm (300))



NOTE

Each lead centerline is located within 0.12 mm of its true position (T.P.) at maximum material condition.

ITEM	MILLIMETERS
A	6.7±0.3
B	0.575 MAX.
C	0.65 (T.P.)
D	0.32 ^{+0.08} _{-0.07}
E	0.125±0.075
F	2.0 MAX.
G	1.7±0.1
H	8.1±0.3
I	6.1±0.2
J	1.0±0.2
K	0.15 ^{+0.10} _{-0.05}
L	0.5±0.2
M	0.12
N	0.10
P	3 [°] +7 [°] _{-3[°]}

P20GM-65-300B-4