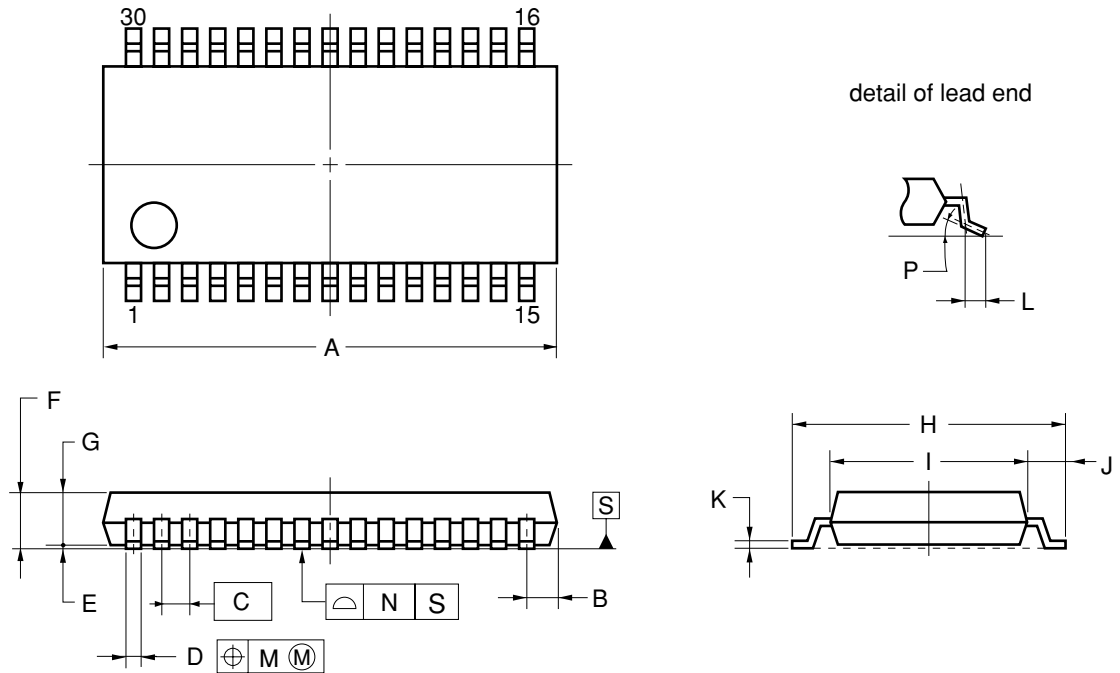


### 30-PIN PLASTIC SSOP (7.62 mm (300))



#### NOTE

Each lead centerline is located within 0.10 mm of its true position (T.P.) at maximum material condition.

(UNIT:mm)

ITEM	DIMENSIONS
A	13.0 MAX.
B	0.9 MAX.
C	0.8 (T.P.)
D	$0.35^{+0.10}_{-0.05}$
E	$0.1 \pm 0.1$
F	1.8 MAX.
G	$1.55 \pm 0.1$
H	$7.7 \pm 0.2$
I	$5.6 \pm 0.2$
J	$1.05 \pm 0.2$
K	$0.20^{+0.10}_{-0.05}$
L	$0.6 \pm 0.2$
M	0.10
N	0.10
P	$3^{\circ +7^{\circ}}_{-3^{\circ}}$

S30GS-80-300C-1