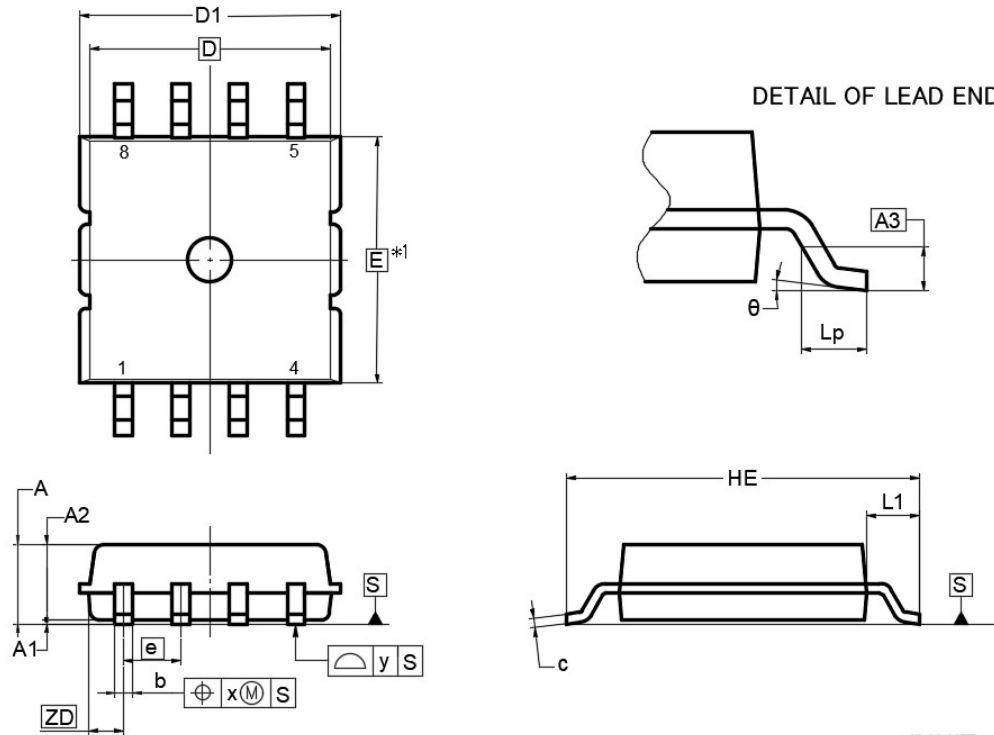


外形図 Outline drawing
(PVSP0008JA-A)

RDK-G-001749-1 1/1

ルネサス エレクトロニクス株式会社
Renesas Electronics Corporation

JEITA Package code	RENESAS code	MASS(TYP.)[g]
P-VSSOP8-2.75×2.8-0.65	PVSP0008JA-A	0.02[g]



NOTE)
1. DIMENSIONS "*1"
DO NOT INCLUDE MOLD FLASH.
2. EACH LEAD CENTERLINE IS LOCATED WITHIN 0.10 MM OF
ITS TRUE POSITION AT MAXIMUM MATERIAL CONDITION.

(UNIT:mm)

ITEM	DIMENSIONS
D	2.75
D1	2.95±0.20
E	2.80
HE	4.00±0.30
e	0.65
b	0.20 ^{+0.10} _{-0.05}
A	1.00MAX
A1	0.05±0.05
A2	0.85±0.10
A3	0.25
L1	0.60±0.20
c	0.13 ^{+0.10} _{-0.05}
Lp	0.37±0.12
x	0.10
y	0.10
θ	7±7°
ZD	0.50