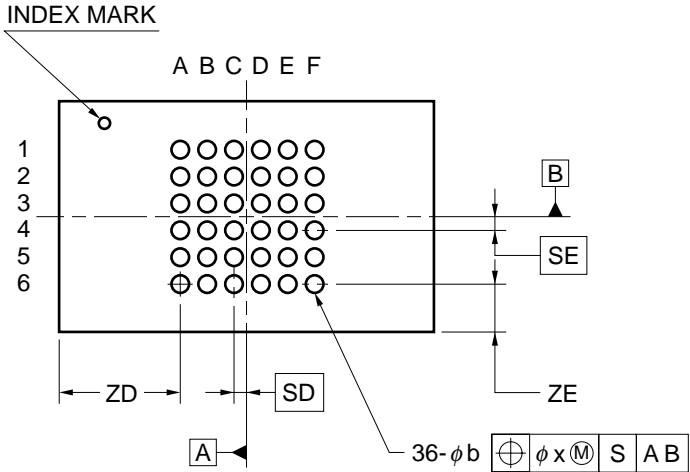
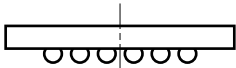
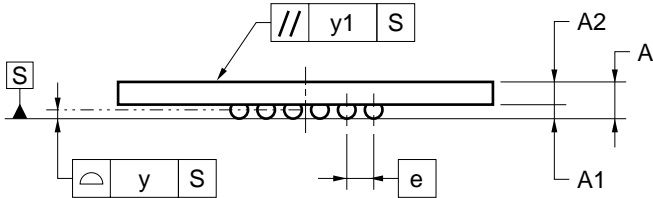
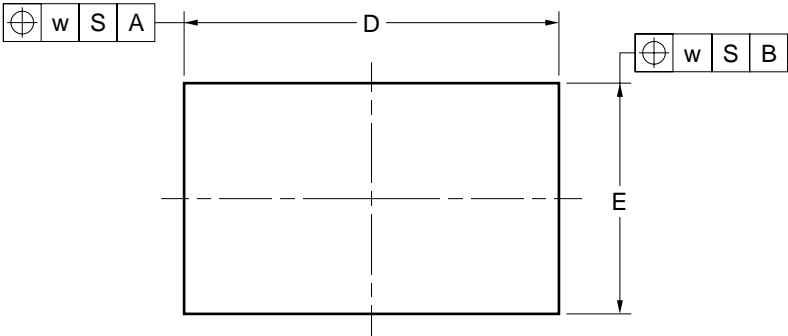


# 36-PIN PLASTIC FBGA (6.5x10.5) OUTLINE DRAWINGS



ITEM	MILLIMETERS
D	10.5±0.1
E	6.5±0.1
w	0.10
e	0.75
A	1.03±0.07
A1	0.32±0.05
A2	0.71
b	0.45±0.05
x	0.08
y	0.10
y1	0.10
SD	0.375
SE	0.375
ZD	3.375
ZE	1.375

P36F1-75-BS1