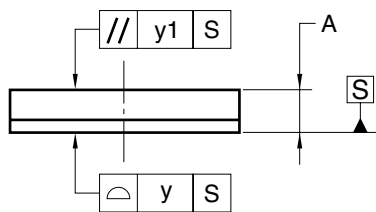
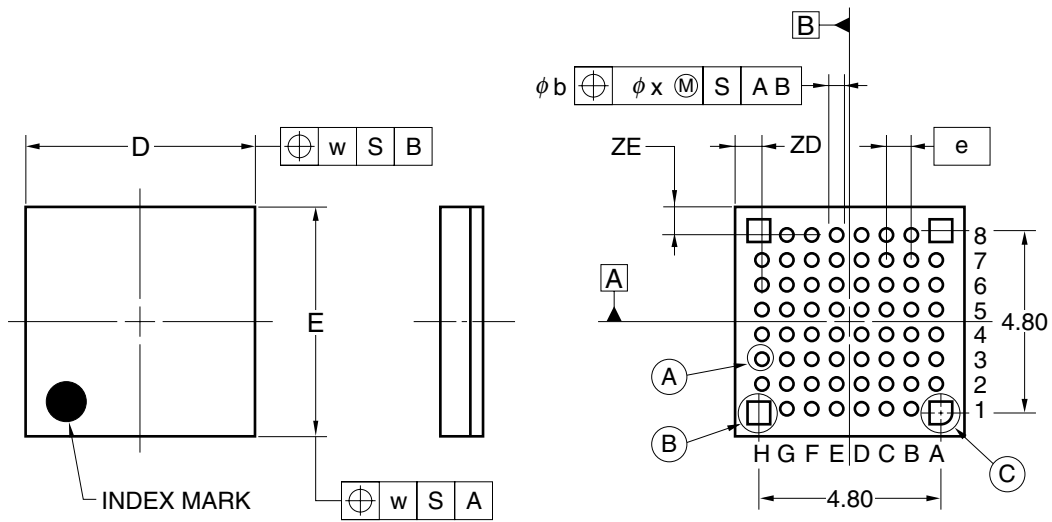


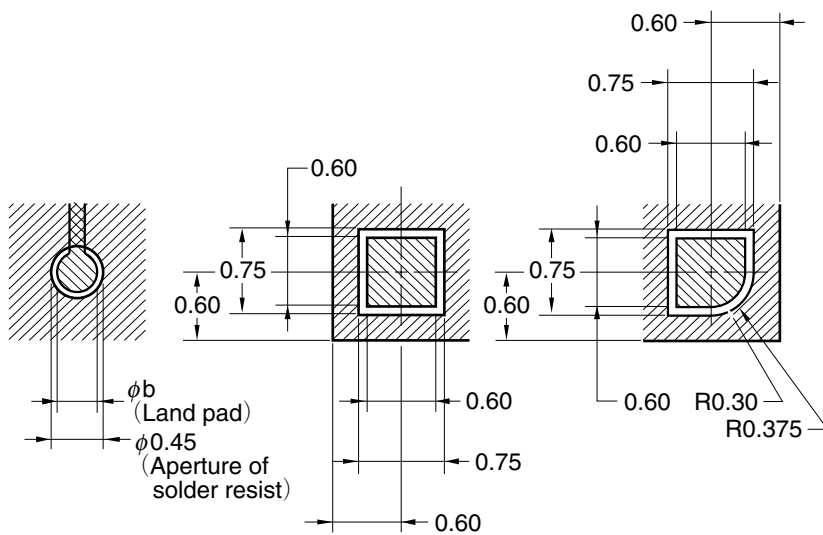
64-PIN PLASTIC FLGA (6x6)



DETAIL OF (A) PART

DETAIL OF (B) PART

DETAIL OF (C) PART



(UNIT:mm)

ITEM	DIMENSIONS
D	6.00±0.075
E	6.00±0.075
w	0.15
e	0.65
A	1.13±0.07
b	0.35±0.05
x	0.08
y	0.10
y1	0.20
ZD	0.725
ZE	0.725

P64FC-65-BA1-1