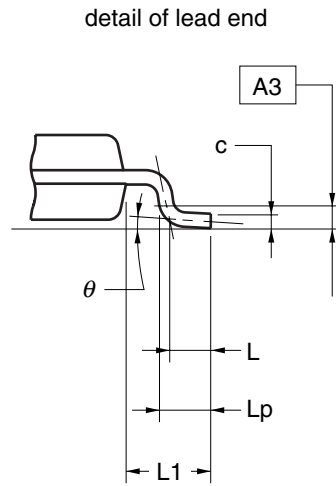
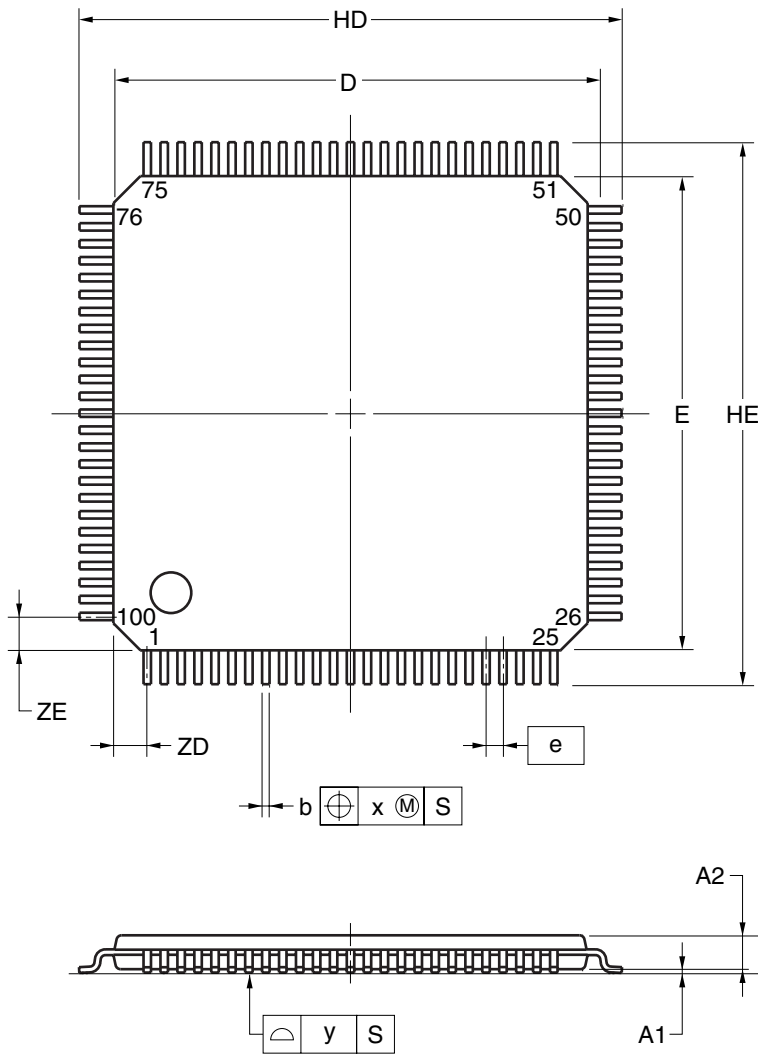


100-PIN PLASTIC TQFP (FINE PITCH) (14x14)



(UNIT:mm)

ITEM	DIMENSIONS
D	14.00±0.20
E	14.00±0.20
HD	16.00±0.20
HE	16.00±0.20
A	1.20 MAX.
A1	0.10±0.05
A2	1.00±0.05
A3	0.25
b	0.22±0.05
c	0.17 ^{+0.03} _{-0.07}
L	0.50
Lp	0.60±0.15
L1	1.00±0.20
θ	3° ^{+5°} _{-3°}
e	0.50
x	0.08
y	0.08
ZD	1.00
ZE	1.00

NOTE

Each lead centerline is located within 0.08 mm of its true position at maximum material condition.

P100GC-50-YEU