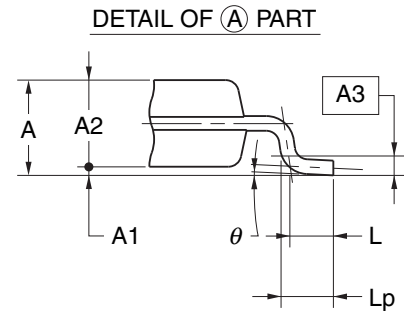
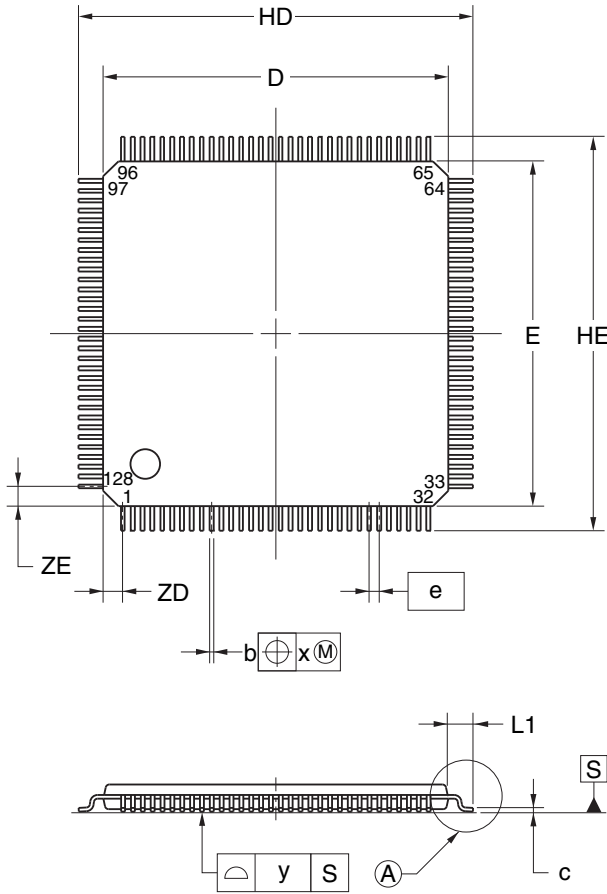


JEITA Package Code	RENESAS Code	Previous Code	MASS (TYP.) [g]
P-TFQFP128-14x14-0.40	PTQP0128LD-A	P128GC-40-YEV-1	0.68



(UNIT:mm)

ITEM	DIMENSIONS
D	14.00±0.20
E	14.00±0.20
HD	16.00±0.20
HE	16.00±0.20
A	1.20 MAX.
A1	0.10±0.05
A2	1.00±0.05
A3	0.25
b	0.18±0.05
c	0.17 <sup>+0.03</sup> <sub>-0.07</sub>
L	0.50
Lp	0.60±0.15
L1	1.00±0.20
$\theta$	3° <sup>+5°</sup> <sub>-3°</sub>
e	0.40
x	0.07
y	0.08
ZD	0.80
ZE	0.80

**NOTE**

Each lead centerline is located within 0.07 mm of its true position at maximum material condition.