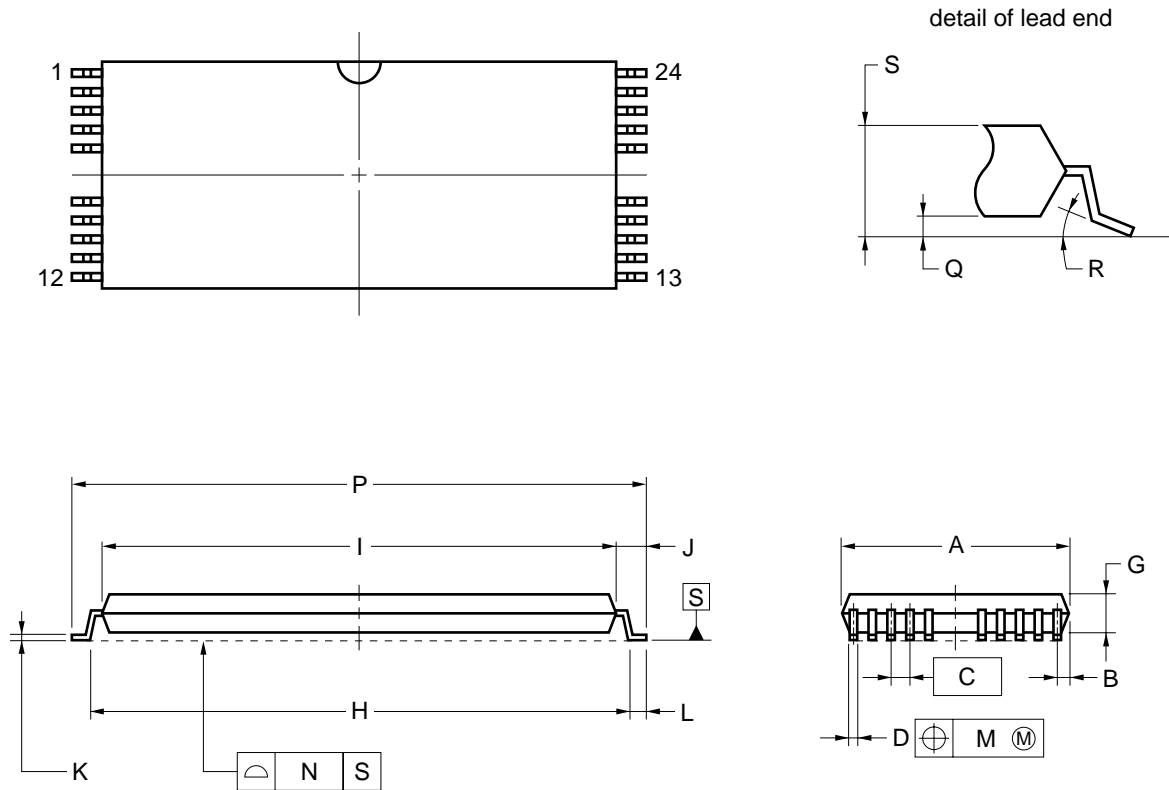


24-PIN PLASTIC TSOP (I) (6x16)



NOTES

- Each lead centerline is located within 0.08 mm of its true position (T.P.) at maximum material condition.
- "A" excludes mold flash. (Includes mold flash : 6.4 mm MAX.)

ITEM	MILLIMETERS
A	6.0±0.1
B	0.45 MAX.
C	0.5 (T.P.)
D	0.20±0.10
G	1.02 MAX.
H	15.0±0.2
I	14.4±0.2
J	0.8±0.2
K	0.125 ^{+0.10} _{-0.05}
L	0.5±0.1
M	0.08
N	0.10
P	16.0±0.2
Q	0.05±0.05
R	5°±5°
S	1.1 MAX.

S24GX-50-JJH-3