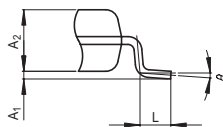
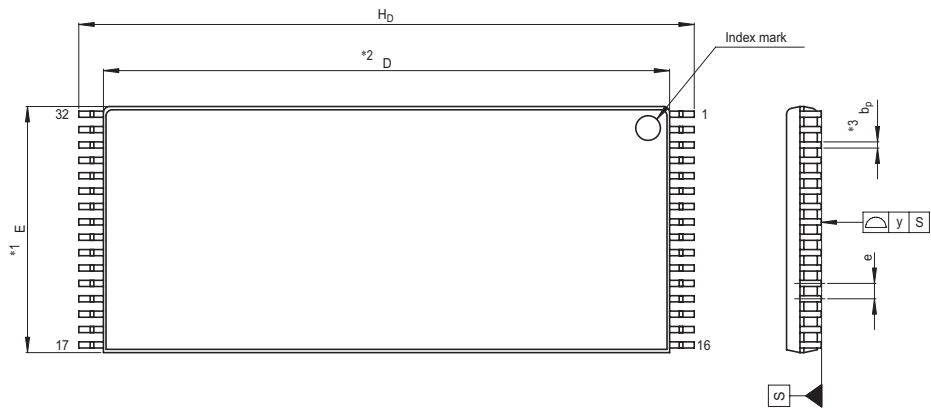


JEITA Package Code	RENESAS Code	Previous Code	MASS[Typ.]
P-TSOP(1)32-8x18.4-0.50	PTSA0032KA-B	32P3H-F	0.4g



Detail F

- NOTE)
1. DIMENSIONS "*1" AND "*2" DO NOT INCLUDE MOLD FLASH.
 2. DIMENSION "*3" DOES NOT INCLUDE TRIM OFFSET.

Reference Symbol	Dimension in Millimeters		
	Min	Nom	Max
D	18.3	18.4	18.5
E	7.9	8.0	8.1
A ₂	—	1.0	—
H _D	19.8	20.0	20.2
A	—	—	1.2
A ₁	0.05	0.125	0.2
b _p	0.15	0.2	0.3
c	0.105	0.125	0.175
θ	0°	—	10°
e	0.4	0.5	0.6
y	—	—	0.10
L	0.4	0.5	0.6