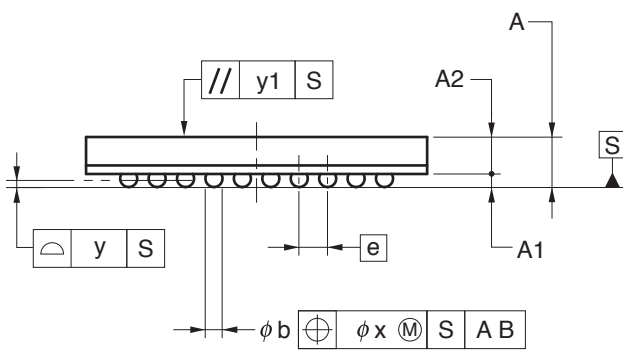
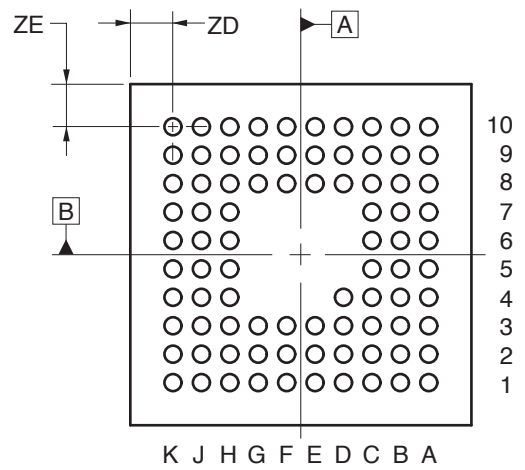
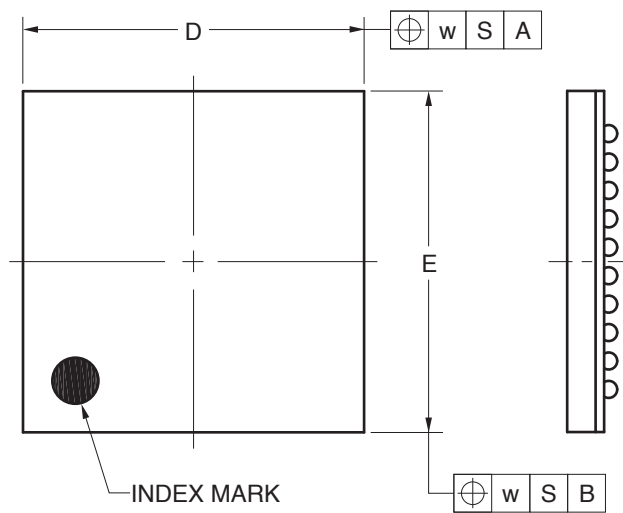


### 85-PIN PLASTIC FBGA (6x6)



(UNIT:mm)

| ITEM | DIMENSIONS |
|------|------------|
| D    | 6.00±0.10  |
| E    | 6.00±0.10  |
| w    | 0.20       |
| A    | 0.88±0.10  |
| A1   | 0.23±0.05  |
| A2   | 0.65       |
| e    | 0.50       |
| b    | 0.30±0.05  |
| x    | 0.05       |
| y    | 0.08       |
| y1   | 0.20       |
| ZD   | 0.75       |
| ZE   | 0.75       |

P85F1-50-BAA-1