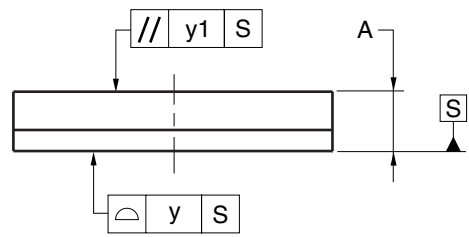
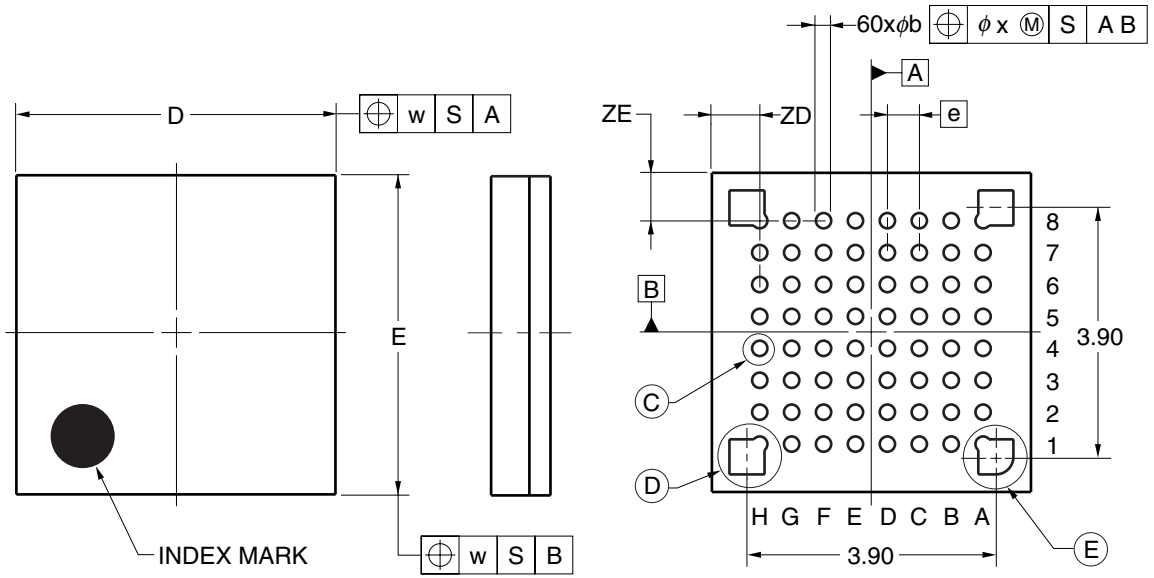


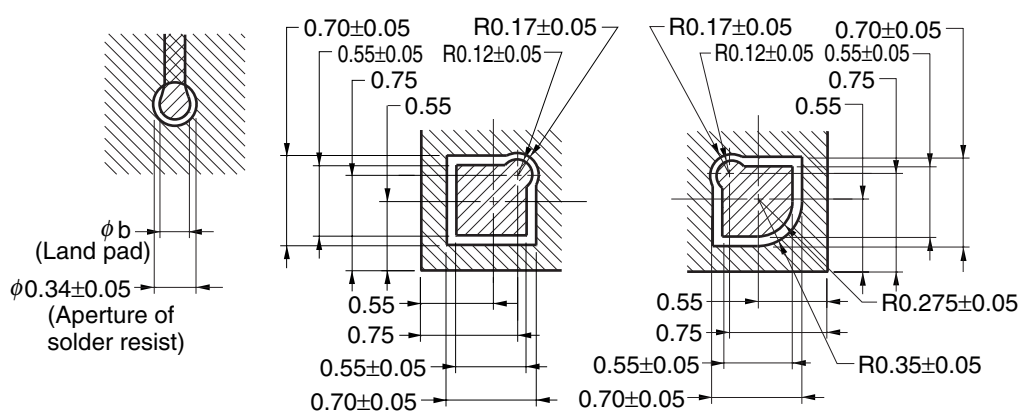
64-PIN PLASTIC FLGA (5X5)



DETAIL OF (C) PART

DETAIL OF (D) PART

DETAIL OF (E) PART



(UNIT:mm)

ITEM	DIMENSIONS
D	5.00±0.10
E	5.00±0.10
w	0.20
e	0.50
A	0.91±0.07
b	0.24±0.05
x	0.05
y	0.08
y1	0.20
ZD	0.75
ZE	0.75

P64FC-50-AA1-1